

# EUROCOM

The New Standard for Installed Systems



# EUROCOM

## Innovative Tools for Modern Systems Integrators



I'm often asked why BEHRINGER customers love our products so much. The answer is simple... it's because we are so passionate about everything we do. Our customers tell us what they want, and we design and build products that sound great and provide amazing feature sets—at extremely affordable prices!

It all started 29 years ago when I was studying classical piano and sound engineering. I made my living playing jazz in piano bars, hotels and coffee shops. Being an aspiring sound engineer, I could only dream of owning studio equipment, which at the time was far too expensive for a cash-strapped student like me.

The university I attended had only two microphones for 100 students! It became clear that if I wanted to become a sound engineer, I would have to get my own equipment.

During my childhood my father taught me electronics, and when I was 16 I built my first synthesizer. Since I was already intrigued by electronics, it was only natural for me to look inside the magical black boxes to see what

made them tick. I quickly realized that companies were charging US\$1000 or more for a piece of equipment, while the components inside were only worth US\$100!

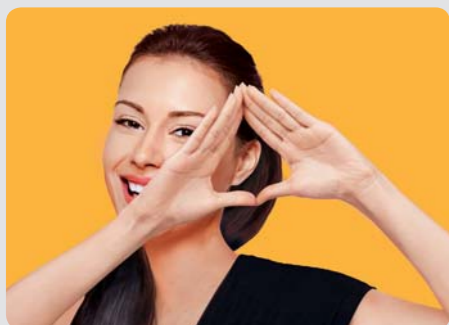
So I immediately grabbed my soldering iron and went to work on my first signal processor. Word spread quickly among friends that my products sounded really good. More importantly, I found out that my friends were very much like me and couldn't afford to buy such expensive studio gear. I started production on my kitchen table and sold what I made at ridiculously low prices. Without even realizing it, I had started BEHRINGER.

It became my personal dream, and later the company's mission, to offer high-quality products at prices that fit everyone's budget. To this day, that is what BEHRINGER stands for.

It is with great pride that we at BEHRINGER now present these 64 EUROCOM products for your consideration. We have dedicated years to their research and development, making them the best-sounding, most dependable, feature-packed products we've ever brought to the marketplace—and we stand behind them with the most comprehensive service plan in the industry.

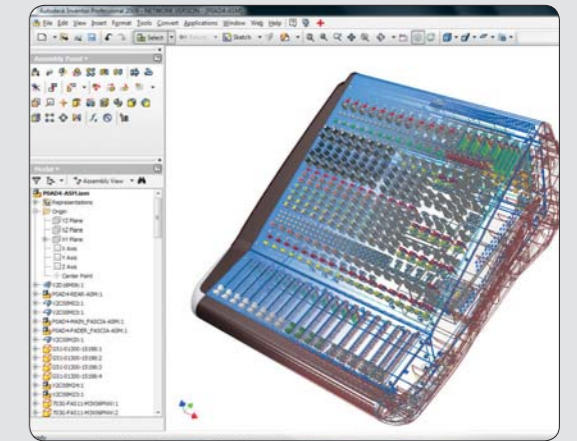
Yours truly,

Uli Behringer



# The EUROCOM Story

## Discover EUROCOM, the new standard for installed systems: New ideas, breathtaking technologies, a unique design aesthetic, flexibility – and tremendous value!



Over the past two decades we have heard from many customers who have used our products in installed sound systems. After all, system integrators and contractors are always looking for products that deliver a



rich feature set, consistent reliability and superior value; and BEHRINGER products deliver on all counts. As more and more integrators turned to us, they asked for products to provide more application-specific solutions. In essence, they wanted us to apply our founding philosophy to the installed sound industry.

When BEHRINGER made a commitment to enter the installation market we knew that it would take much more than just great products. It would also mean a new and different way of doing business,

with a different sales and distribution model, terms of sale, marketing and support requirements. We recognized early on that the nature of project-driven sales differs considerably from that of retail sales and that our organization

would need to adapt in order to fully and properly support the efforts of our installation customers.

In an industry that has been dominated by well-entrenched players for a very long time, BEHRINGER's installation products are truly unique.

Where the current standards include linear power supplies with around 20% efficiency, we have opted for energy-saving switch-mode designs that operate at up to 85% efficiency.

Where loudspeakers have come to all look alike, BEHRINGER has broken the mold and delivered an uncompromising aesthetic. Where features were offered as optional extras, we have included them and made the products more affordable.



Longtime BEHRINGER observers will recognize our EUROLIVE, EURODESK and EUROPOWER product family names. The origin of these names stems from our roots as a small startup in Germany, hence the name—EURO. So, of course when it came time to name the family of installed products, we naturally started there. The second half of the name came from the true purpose of installed products; they enable people to communicate.

And thus was born EUROCOM. A family of products designed to meet the needs of system integrators with fresh ideas, breathtaking technologies, style and as always, unbeatable value.

That's what BEHRINGER EUROCOM stands for.

# MUSIC Group City

## 3,000 MUSIC Group People That Are Incredibly Passionate to Build Your Quality Product

At MUSIC Group, we believe that the only way to ensure quality is to build products in our own factory. That's why we built MUSIC Group City, our state-of-the-art factory where working conditions are so good that we have a waiting list for employment. Controlling every step of the design and manufacturing process is the only way to maintain a consistently high level of product quality and performance.

From the assembly of our mixers to the fretwork on our guitars, it's all made under one roof (well, actually six really, really big roofs). We fabricate our own cabinets in a huge woodshop, stuff our own circuit boards and test, re-test and re-re-test every unit before it leaves our factory.

Unlike the vast majority of our competitors, we build our own loudspeakers. We mold the cones



Advanced Klippel loudspeaker testing ensures all of our speaker components meet the highest quality standards

from raw pulp, machine our own parts and wind our own voice coils.



Cutting-edge Surface Mount Technology (SMT) makes fast and accurate work of loading circuit boards with miniaturized electronic components

Yes, it's a huge investment in quality control, but we believe it's worth it.

What does this all mean to you? You get tremendous value for your money when you buy a BEHRINGER product—and you can relax in the knowledge that your product will provide premium performance for many years to come.

The city of Zhongshan in Guangdong Province, China, is a modern metropolis with scenic parks and wide, bustling boulevards. It is also home to BEHRINGER manufacturing. Virtually a city within a city, MUSIC Group City is a

vibrant community that integrates every facet of the production chain – all of it under one roof. This is where each and every BEHRINGER product is manufactured and distributed globally.

But MUSIC Group City is so much more than just a factory—it's a city in every sense of the word. With its living quarters, restaurants, sports facilities, a library and even an on-site medical facility, more than 3,000 enthusiastic MUSIC Group people call MUSIC Group City their home.

BEHRINGER has a track record of manufacturing excellence spanning more than two decades.



This is the Electromagnetic chamber where we test all products for compliance with standards such as FCC emissions, CE and safety. The facility represents a multi-million dollar investment and includes at least one machine that goes "ping"



MUSIC Group City was granted the prestigious ISO9001:2008 Certificate in 2010



Each building was meticulously planned and designed to fulfill clearly defined functions. Operations such as Electronics, Loudspeaker and Wood Production, Research and Development, Administration and Warehousing are all strategically positioned to offer an uninterrupted flow in the manufacturing process.

BEHRINGER's application of integrated production principles



State-of-the-art Auto Optical Inspection System that zooms in on every solder joint



The Product Showroom at MUSIC Group City, where we definitely do not serve lunch

has heralded a significant increase in efficiency and successful implementation of Total Quality Management. And BEHRINGER product compliance testing ensures that every product meets or exceeds standards set for emissions and safety by consumer

watchdog agencies around the globe.

It is MUSIC Group City, along with our amazing team of talented and highly skilled employees that sets us apart from our competitors. The resulting synergy creates a passionate community dedicated to delivering products that help musicians all over the world realize their dreams and, ultimately, to define their success within the music industry.

Do you want to know more about MUSIC Group City? Come and visit [eurotec.cn](http://eurotec.cn)



MUSIC Group celebrates its 20th Anniversary with 3,000 MUSIC Group people, rice wine and no curfew

# MA6000 Series



## Outstanding Performance and Scalability



### MA6000 Series

MA6000 Series products are the most powerful, feature-rich mixer-amps, power amps and stand-alone mixers in the EUROCOM family, combining automatic mixing, expandability, dual-channel amplification and a vast array of standard features with a sleek, stylish front panel that focuses on simplicity. Boasting high power, scalability, unprecedented value and reliability, MA6000 Series automixer-amplifiers are destined to set new standards in distributed system designs.



Mixer and mixer-amplifier models feature 8 universal inputs (expandable up to 32) with 2-band EQ, direct outs, and an automatic proportional gain system that supports multiple open mics. Back-panel controls provide tremendous flexibility in customizing the mixer to the needs of each installation. Add to all this 4 remotely selectable Aux inputs, plus remote control of system volume, source selection and power—and the MA6000 Series becomes the ideal choice for conference rooms, shopping centers, meeting rooms, houses of worship, auditoriums, hotels, sports complexes, restaurants, and anywhere else the ultimate in control and scalability is desired.

### MA6000M 8-Channel Auto-Mixer / MA6018 & MA6008 Auto-Mixer Amp Features:

- 8 Mic/Line inputs on XLR/TRS and Euroblock connectors, each with Lo and Hi frequency EQ, individual Trim control and post-trim input level LED
- Switchable Mic/Line, Phantom power, Main Mix and/or Zone 2 output, Mute Send/RCV, Remote Volume control, Chime, and Auto-mixing on each input
- 4 pair summed RCA Aux inputs assignable to the Main Mix, Zone 2, and/or MOH
- Multi-featured, dedicated page input with assignable Chime, switchable Mic/Line and Phantom power
- Optional wired Remote volume, power control and aux channel selection plus remote volume assign switch
- Individual front panel input Level, Lo/Hi Main, Aux EQ, Aux input and Zone 2 Volume
- Auto-dimming control illumination, dual channel VU meter, Power switch, and dual-function indicator ring surrounding Master volume control
- 4 front panel buttons select which four rear-panel Aux inputs are active and feeding the Main mix bus at any given time
- Dual bridging input/output connectors allow multiple units to be interconnected
- Detachable rack ears, screw covers, blank knob caps for control lock-out, IEC-type AC power cord and all mating Euroblock connectors included
- Ultra-light, ultra-low noise and ultra-efficient switch-mode power supply for noise-free audio, superior transient response and low power consumption

### Mixer-Amplifier Models Include:

- 2 transformerless, cool-running Class-D amplifiers simultaneously drive 70/100 V and 4/8  $\Omega$  loads with balance control (MA6018, 2 x 180 W / MA6008, 2 x 80 W)
- Independent DC and thermal overload protection plus automatic limiters for each amplifier prevent overload, clipping and distortion without shutting down audio



MA6480A — 2-CH Mixer/Expansion Amp

### MA6480A Energy-Efficient, Multi-Function 240-Watt Mixing Amplifier/ Expansion Power Amp with Dual 70/100 V and 4 $\Omega$ Outputs

- Multi-function 240-Watt mixing amplifier with dual 70/100 V and 4  $\Omega$  outputs, for continuous operation in distributed music, paging and AV applications
- State-of-the-art, energy-saving Switch-Mode Power technology with up to 77% power efficiency drastically reduces energy cost
- 2 transformerless, cool-running Class-D amplifiers simultaneously drive 70/100 V and 4  $\Omega$  loads with adjustable Balance control
- 2 Mic/Line inputs on Euroblock and XLR/TRS connectors, each with switchable Mic/Line and Phantom Power
- Input 1 features contact-activated muting, priority 'voice-over' switch and dual-function indicator ring surrounding Master volume control
- Dual bridging input/output connectors allow multiple units to be interconnected
- Detachable rack ears, screw covers, blank knob caps for control lock-out, IEC-type AC power cord and all mating Euroblock connectors included
- Independent DC and thermal overload protection plus automatic limiters for each amplifier prevent overload, clipping and distortion without shutting down audio



**Council Chambers** - Take advantage of MA6000 Series' auto-mix capabilities to ensure maximum speech intelligibility



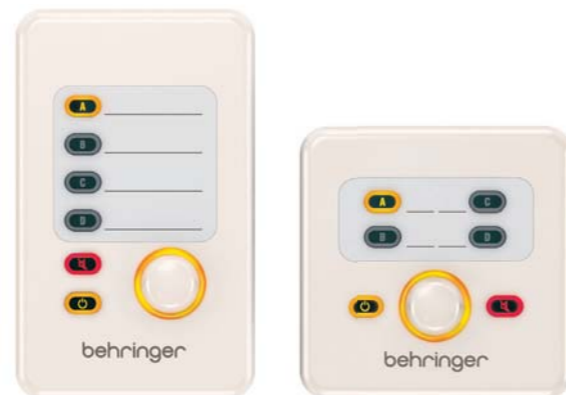
**House of Worship** - Especially well-suited for liturgical churches where spoken word clarity and suppression of background noise in reverberant environments is important



**K-12 & Higher ED** - MA6000 systems are easy to operate and include 8 dedicated mic inputs, plus 4 dedicated line inputs to accommodate any small to mid size auditorium sound reinforcement needs



**Hospitality** - The MA6000 Series is perfect for meeting room spaces, plus you can add optional remote level and source selection wall plates for even more functionality



CP3100

CP3110

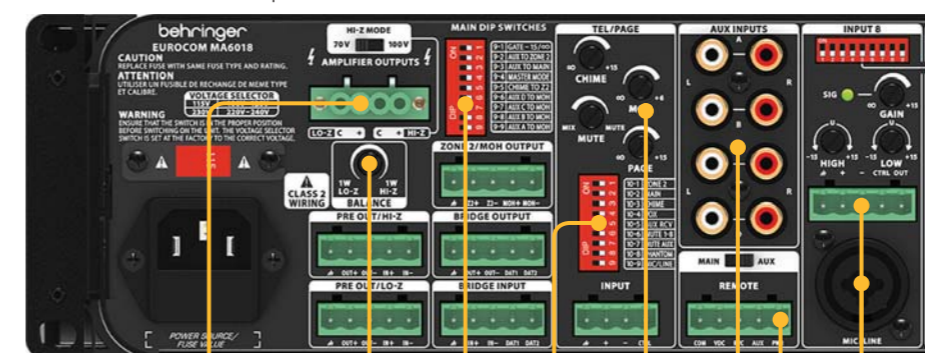
Optional CP3100 (USA) and CP3110 (Euro) wall controllers provide convenient selection of auxiliary inputs (A, B, C, D), volume control for either auxiliary inputs or the main mix bus (selectable), muting of all sources and the ability to toggle power remotely over distances up to 300' (100 M).

Inexpensive CAT5 cable may be used with terminal blocks provided on the wall plate to simplify connection (no RJ45 crimping required!).

All soft touch control buttons plus the ergonomic dial are illuminated via power provided from the MA6000 (no local power required) and generous space is provided for input labeling.

Note: CP wall controllers do not provide input selection on model MA6480A.

MA6018/MA6008 — 8-CH Mixer/Amps



- Dual Amplifier Outputs Lo-Z (4/8  $\Omega$ ) + Hi-Z (70/100 V)
- Balance Lo-Z / Hi-Z
- Main DIP Switches
- Tel/Page DIP Switches
- Tel/Page Settings
- 4 Stereo RCA Aux Inputs
- Remote Control Connections
- Euroblock/Combo Mic/Line In Connectors



MA6018 — 180-Watt, 8-CH Mixer/Amp



MA6008 — 80-Watt, 8-CH Mixer/Amp



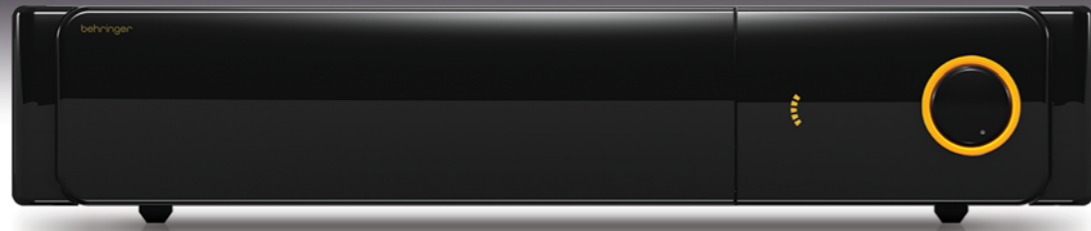
MA6000M — 8-CH Mixer



MA6480A — 2-CH Mixer/Expansion Amp



# MA4000 Series



## Imagine the Possibilities



Professional I/O Connectivity



Dual Drive Amplification



Optional Wall Mount Remote



Eco-Friendly Energy-Saving Design



Easy to Use

### MA4000 Series

Born of the same spirit as the flagship MA6000 Series, MA4000 Series products offer extraordinary versatility and ease-of-use in a rack-mountable system that is ideal for commercial install applications such as restaurants, bars, stores, sports clubs, spas and houses of worship. The clear and intuitive front panel is designed for operation by non-technical personnel, while the back-panel controls provide the installer with tremendous flexibility in customizing the system to suit individual installations.

The MA4000M and MA4008 both feature 4 universal inputs with combination XLR/TRS and Euroblock connectors, plus switchable Phantom Power for use with condenser mics. Channels 5 - 8 connectors are Euroblock and summed stereo RCA. Add to this a dedicated Tel/Page input with controls for Mute, Page and MOH (Music on Hold), Record and assignable Zone 2/MOH, Outs plus remote control capability, and the MA4000 Series becomes the "Swiss Army Knife" of modern installed sound.

### MA4000M Energy-Efficient, 9-Input Mixer Featuring Multiple Input Connectivity and Diverse Signal Routing

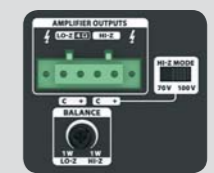
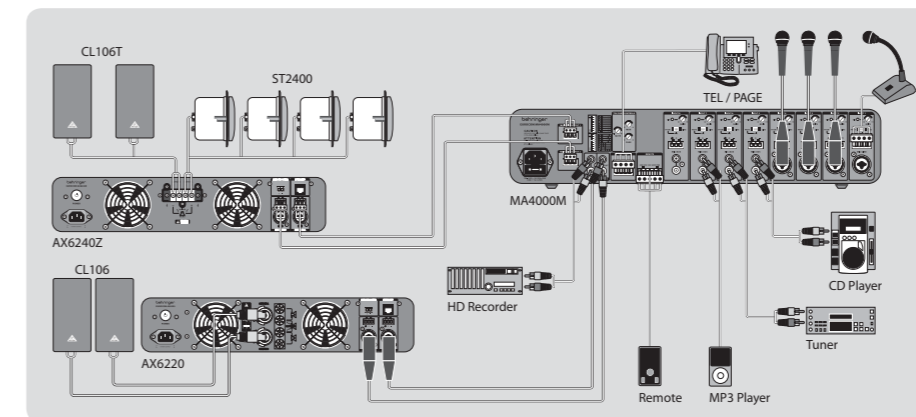
- Multi-function mixer designed for continuous operation in distributed music, paging and AV applications
- State-of-the-art, energy-saving Switch-Mode Power technology drastically reduces energy cost
- 8 Mic/Line inputs on Euroblock, XLR/TRS and RCA connectors, each with switchable Mic/Line and Phantom Power, individual Trim control and post-trim input level LED
- Inputs 1-8 individually assignable to Zone 2/MOH output; Aux inputs 5-8 individually assignable to Main Mix
- Dedicated page input accepts telephone or paging microphone and features priority muting across all inputs
- Wired Remote volume, power and mute control connector
- Individual front panel input Level plus Lo and Hi Main EQ controls
- Auto-dimming control illumination, dual channel VU meter, Power switch, and dual-function indicator ring surrounding Master volume control
- Main Mix 1 & 2 outputs on balanced Euroblock connectors
- Recording output and Zone 2/MOH assignable output with independent gain control
- Detachable rack ears, screw covers, blank knob caps for control lock-out, IEC-type AC power cord and all mating Euroblock connectors included

### MA4008 Energy-Efficient, Multi-function 80-Watt Mixing Amplifier with Dual 70/100 V and 4 Ω Outputs

- Multi-function 80-Watt mixing amplifier with dual 70/100 V and 8 Ω outputs, for continuous operation in distributed music, paging and AV applications
- State-of-the-art, energy-saving Switch-Mode Power technology with up to 70% power efficiency drastically reduces energy cost
- 2 transformerless, cool-running Class-D amplifiers drive 70/100 V and 8 Ω loads simultaneously with adjustable Balance control
- 8 Mic/Line inputs on Euroblock, XLR/TRS and RCA connectors, each with switchable Mic/Line and Phantom Power, individual Trim control and post-trim input level LED

- Inputs 1-8 individually assignable to Zone 2/MOH output; Aux inputs 5-8 individually assignable to Main Mix
- Dedicated page input accepts telephone or paging microphone and features priority muting across all inputs
- Wired Remote volume, power and mute control connector
- Individual front panel input Level plus Lo and Hi Main EQ controls
- Auto-dimming control illumination, dual channel VU meter, Power switch, and dual-function indicator ring surrounding Master volume control
- Main mix output on Euroblock connector with selectable 70/100 V and 4 Ω outputs
- Recording output and Zone 2/MOH assignable output with independent gain control
- 2 Preamp Out/Amp In processing loops for each 70/100 V and 8 Ω output

### Example Applications



### Dual Drive Amplification

Featuring BEHRINGER's Dual Drive technology, our two-channel mixer-amplifiers and power amps provide dual independent channels within each enclosure. One transformerless amplifier is dedicated to low-impedance loads, while the other simultaneously drives 70/100 V loads at equal power.



**Retail / Hospitality** - For deployments where music sets the mood for shopping or dining with foreground or background music, messaging or paging, the MA4000 exceeds expectations for functionality and ease of use

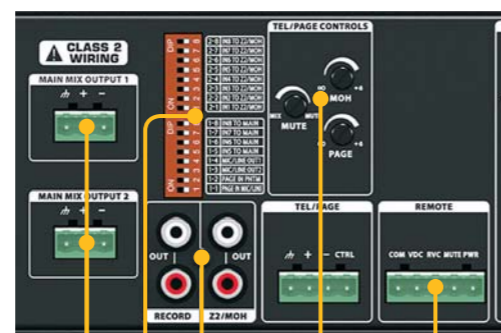


**Warehouse Paging** - The MA4000 is perfect for commercial installations where reliability and paging clarity is crucial for safety and efficiency



**Offices** - Guarantee the optimum office environment by using the MA4000 for office paging and sound masking applications

MA4000M — 8-CH Mixer Master Section



- Main Mix Outputs 1 & 2
- Record & Zone 2/MOH Outputs
- Remote Control Connections
- Main DIP Switches
- Tel/Page Settings

MA4008 — 80-Watt, 8-CH Mixer/Amp



- Dual Amplifier Outputs Lo-Z (4/8 Ω) + Hi-Z (70/100 V)
- Dual Amplifier Inserts
- Record & Zone 2/MOH Outputs
- Remote Control Connections
- Channel Input Gain Control with Signal Level LED
- Mic/Line/Phantom Power Switch
- Mic/Aux Euroblock & RCA Inputs
- Euroblock/Combo Mic/Line In Connectors
- Balance Lo-Z / Hi-Z
- Main DIP Switches
- Tel/Page Settings



# SN2000 Series



## Elegant Simplicity



Incorporating BEHRINGER's exclusive DualDrive technology, the SN2408 is powered by two independent mono amplifiers, one with a high impedance output that may be set to either 70 or 100 V, the other with a standard low-Z output. This uniquely versatile configuration addresses the needs of hybrid distributed/low-impedance systems, allowing easy installation and configuration of multi-zone setups in bars, recreation facilities, conference rooms, boardrooms, hotels and other venues.

### SN2408 Energy-Efficient 80 W Mixer Amp with Dual 70/100 V and 4 Ω Outputs for Distributed Music, Paging and AV Applications



- Multi-function 80-Watt mixer amplifier with dual 70/100 V and 4 Ω outputs for continuous operation in distributed music, paging and AV applications
- State-of-the-art, energy-saving Switch-Mode Power technology with up to 80% power efficiency drastically reducing energy cost
- 2 transformerless, cool-running Class-D amplifiers drive 70/100 V and 4 Ω loads simultaneously with adjustable Balance control
- 3 microphone inputs on XLR/TRS or Euroblock connectors with switchable Mic/Line and Phantom Power
- Dedicated Tel/Page input with adjustable gain on Euroblock connector
- Assignable Zone 2 output with adjustable gain on Euroblock connector
- Pre Out/Amp In processing loop per amplifier channel on dual RCA connectors
- 2 Aux inputs for music or program signals on RCA connectors
- Variable voice-activated or contact-activated music muting
- Lo and Hi frequency EQ for ultimate sound adjustment
- Intuitive front panel with input level controls and dual-function indicator ring

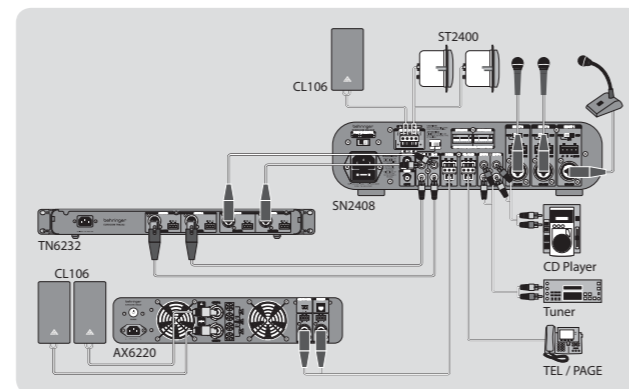
Combining superior performance and ease-of-use with unprecedented value, the EUROCOM SN2108 mixer-amplifier is an innovative yet practical solution for distributed sound in low-complexity environments. Designed exclusively for Hi-Z systems, the SN2108 unites a 5-input mixer with an 80 W RMS mono amplifier engineered for continuous 70/100 V output. SN2108 is an ideal match for retail, hospitality, office, medical, educational and industrial spaces.

### SN2108 Energy-Efficient 80-Watt Mixer Amplifier with 70/100 V Output for Distributed Music, Paging and AV Applications



- Multi-function 80-Watt mixer amplifier, designed for continuous operation in distributed music, paging and AV applications
- State-of-the-art, energy-saving Switch-Mode Power technology with up to 80% power efficiency drastically reduces energy cost
- Transformerless, cool-running Class-D amplifier drives 70 V loads directly
- 3 balanced or unbalanced microphone inputs on TRS connectors
- 2 Aux inputs for music or program signals on RCA connectors
- Variable voice-activated music muting
- Lo and Hi frequency EQ for ultimate sound adjustment
- Intuitive front panel with dual-function indicator ring
- Secure 2-position terminal strip speaker output connector
- Independent DC and thermal overload protection plus automatic limiters for each channel prevent clipping and distortion without shutting down audio
- Ultra-light, ultra-low noise and ultra-efficient switch-mode power supply for noise-free audio, superior transient response and low power consumption

## Example Applications



# AX6000 Series



## Power + Total Control



The EUROCOM AX Series dual-channel professional power amplifiers represent the apex of power, flexibility, and control in digitally enabled power amplifiers. Two models are optimized for low impedance speaker loads (down to 2-Ohms), while a two additional model are designed to drive high-impedance

### AX6240/AX6220 Energy-Efficient, DSP-Powered and Ethernet/USB-Controlled Low-Impedance Amplifiers



- Ultra-reliable, dual channel power amps for continuous operation in distributed music, paging, sound masking and general sound reinforcement applications
- State-of-the-art, energy saving Switch Mode power supply technology with up to 73% efficiency to drastically reduce energy consumption
- Transformerless output design (AX6220/AX6240 Class-H), (AX622Z/AX6240Z Class-D) for optimum low frequency response
- High-performance DSP includes 24-bit/96 kHz converters, delay, crossover, 8 parametric + 2 dynamic EQs, dynamics processing, lockable security settings, plus full-featured test section with pink/white noise and fixed/sweepable sine waves
- Pink/white noise source can be routed through all DSP blocks allowing system to function as a powerful, stand-alone sound-masking generator/amplifier
- Controlled and monitored via Ethernet network or locally via USB (front panel LCD display also enables setup without PC connection)
- Front panel VU metering, mute indication, system fault, over-current/overdrive indicators plus illuminated master volume ring w/clip indicator
- "Zero attack" limiters on all output channels with independent DC and thermal overload circuits for maximum amplifier and loudspeaker protection
- Remote power terminal for sequential/remote control
- Inputs via 3 pin Euroblock and XLR/TRS combo connectors
- Output: AX6220/AX6240, NL4 & binding posts; AX6220Z/AX6240Z, 4-point barrier strip



loads (70.7/100 V). With our AX Series amplifiers, programming, monitoring and control have never been easier. Whether accessed directly, from across the hall or halfway around the planet, the AX Series amplifiers feature a plethora of connectivity and control options, providing immediate access to unbridled functionality.

### AX6240Z/AX6220Z Energy-Efficient, DSP-Powered and Ethernet/USB-Controlled 70/100 V High-Impedance Amplifiers



## Actual AX Series DSP Screenshots



Crossover filters complete with slopes from 6 - 48 dB/Oct.



Total control of dynamic EQ including filter type selection



Phase-compensated Compressors and Limiters



8 Parametric EQs with selectable filters

	RMS Power Rating per Channel (1% THD, 1 kHz sine wave, both channels driven)	Damping Factor	Min. Output Impedance	Power Consumption	Input Connectors	Output Connectors	Weight
AX6240	2 Ω/CH 1,500 W (55 V); 4 Ω/CH 900 W (60 V) 8 Ω/CH 550 W (66 V) 8 Ω Bridge Mono 1,850 W (121 V); 4 Ω Bridge Mono 2,900 W (108 V)	>220/8 Ω	2 Ω	12 A @ 120 V 60 Hz	2 x 3-pin Euroblock and XLR/TRS combo	NL4 and binding posts	21.4 lbs 9.7 kg
AX6220	2 Ω/CH 1,000 W (45 V); 4 Ω/CH 650 W (51 V) 8 Ω/CH 400 W (57 V) 8 Ω Bridge Mono 1,300 W (102 V); 4 Ω Bridge Mono 2,000 W (89 V)	>220/8 Ω	2 Ω	9 A @ 120 V 60 Hz	2 x 3-pin Euroblock and XLR/TRS combo	NL4 and binding posts	21.4 lbs 9.7 kg
AX6240Z	70.7 V/CH: 700 W (7 Ω) 100 V/CH: 1,000 W (10 Ω)	200/62 Ω	14 Ω (70 V) 20 Ω (100 V)	200 W @ 1/8 rated power	2 x 3-pin Euroblock and XLR/TRS combo	Barrier Strip 4 pt	21.6 lbs 9.8 kg
AX6220Z	70.7 V/CH: 350 W (14 Ω) 100 V/CH: 480 W (21 Ω)	200/62 Ω	14 Ω (70 V) 20 Ω (100 V)	200 W @ 1/8 rated power	2 x 3-pin Euroblock and XLR/TRS combo	Barrier Strip 4 pt	21.6 lbs 9.8 kg

# CL Small-Format Loudspeakers

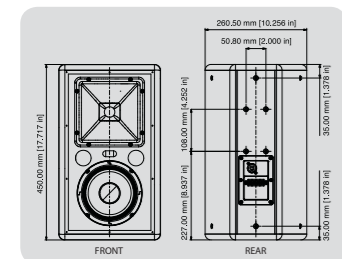


## Compact Flexibility with Potent Performance

With precision-engineered waveguides and computer modeled transducers, CL Series Loudspeakers deliver superior sonic performance. With nineteen models to choose from (in either black or white), there is a CL Series configuration designed to fit virtually any requirement. In addition, their refined aesthetic design compliments even the most sophisticated interior spaces. CL Series models are constructed of durable laminated birch plywood and finished in both black and white. All models have metric threaded inserts for safe suspension using forged eye bolts. Designed for cluster pack applications, all models (except subwoofers) are trapezoidal in shape with rotatable high frequency sections for deployment in both vertical and horizontal orientations.

### CL Series Small-Format Common Features:

- 8 compact, two-way, high output models feature single or dual woofers (6" or 8") and top quality compression drivers coupled to 90° H x 70° V rotatable horns for superior versatility and performance
- Passive crossover network utilizes premium components with integral transducer protection
- Internally braced, acoustically-inert 15° trapezoidal birch plywood enclosure
- Powder-coated steel grille with color-matched, acoustically-transparent fabric wrap
- Multiple reinforced threaded inserts for easy suspension and aiming
- OmniMount bolt pattern for 3rd party mounts
- Low Z (4 Ω/8 Ω nominal) or 70.7 V/100 V Hi-Z models available in black or white finish
- Color matched mounting bracket included
- Optional array brackets available (CLFK): CL FK (black), CL FK-WH (white)



CL106 / CL106T



### CL106 / CL106-WH Ultra-Compact, 2-Way, 8 Ω Loudspeaker System with 6" Low-Frequency and 1" High-Frequency Transducers

- Frequency response: 69 Hz to 15 kHz (+/- 3 dB)
- Sensitivity: 90 dB (1 W @ 1 meter)
- Maximum rated SPL: 116 dB (peak @ 1 meter)
- Power handling: 400 W peak / 200 W continuous / 100 W RMS (per IEC268-5 standard; pink noise at rated power for 100 hours)

### CL106T / CL106T-WH Ultra-Compact, 2-Way, 70/100 V Loudspeaker with 6" Low-Frequency and 1" High-Frequency Transducers

- Frequency response: 69 Hz to 15 kHz (+/- 3 dB)
- Sensitivity: 90 dB (1 W @ 1 meter)
- Maximum rated SPL: 110 dB (100 W @ 1 meter)
- 5-position terminal strip provides amplifier connection to internal 100-Watt 70/100 V transformer

### CL108 / CL108-WH Ultra-Compact, 2-Way, 8 Ω Loudspeaker System with 8" Low-Frequency and 1" High-Frequency Transducers

- Frequency response: 60 Hz to 15 kHz (+/- 3 dB)
- Sensitivity: 91 dB (1 W @ 1 meter)
- Maximum rated SPL: 119 dB (peak @ 1 meter)
- Power handling: 600 W peak / 300 W continuous / 150 W RMS (per IEC268-5 standard; pink noise at rated power for 100 hours)

### CL108T / CL108T-WH Ultra-Compact, 2-Way, 70/100 V Loudspeaker with 8" Low-Frequency and 1" High-Frequency Transducers

- Frequency response: 60 Hz to 15 kHz (+/- 3 dB)
- Sensitivity: 91 dB (1 W @ 1 meter)
- Maximum rated SPL: 111 dB (100W @ 1 meter)
- 5-position terminal strip provides amplifier connection to internal 100-Watt 70/100 V transformer

### CL206 / CL206-WH Ultra-Compact, 2-Way, 8 Ω Loudspeaker System with 8" Low-Frequency and 1" High-Frequency Transducers

- Frequency response: 64 Hz to 15 kHz (+/- 3 dB)
- Sensitivity: 90 dB (1 W @ 1 meter)
- Maximum rated SPL: 119 dB (peak @ 1 meter)
- Power handling: 800 W peak / 400 W continuous / 200 W RMS (per IEC268-5 standard; pink noise at rated power for 100 hours)

### CL206T / CL206T-WH Ultra-Compact, 2-Way, 70/100 V Loudspeaker with 8" Low-Frequency and 1" High-Frequency Transducers

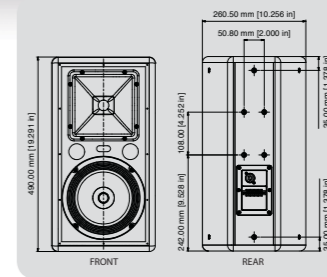
- Frequency response: 64 Hz to 15 kHz (+/- 3 dB)
- Sensitivity: 90 dB (1 W @ 1 meter)
- Maximum rated SPL: 113 dB (200W @ 1 meter)
- 5-position terminal strip provides amplifier connection to internal 200-Watt 70/100 V transformer

### CL208 / CL208-WH Compact, 2-Way, 4 Ω Loudspeaker with Dual 8" Low-Frequency and 1.35" High-Frequency Transducers

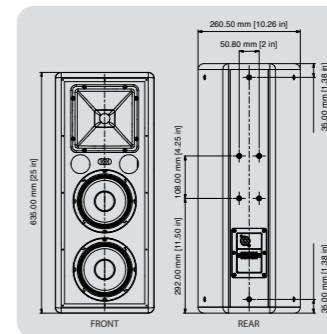
- Frequency response: 55 Hz to 15 kHz (+/- 3 dB)
- Sensitivity: 91 dB (1 W @ 1 meter)
- Maximum rated SPL: 120 dB (peak @ 1 meter)
- Power handling: 800 W peak / 400 W continuous / 200 W RMS (per IEC268-5 standard; pink noise at rated power for 100 hours)

### CL208T / CL208T-WH Compact, 2-Way, 70/100 V Loudspeaker with Dual 8" LF and 1.35" HF Transducers

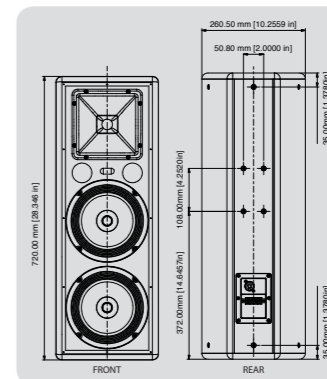
- Frequency response: 55 Hz to 15 kHz (+/- 3 dB)
- Sensitivity: 91 dB (1 W @ 1 meter)
- Maximum rated SPL: 114 dB (200W @ 1 meter)
- 5-position terminal strip provides amplifier connection to internal 200-Watt 70/100 V transformer



CL108 / CL108T



CL206 / CL206T



CL208 / CL208T-WH

	LF/HF Driver	Freq. Response(+/- 3 dB)	Sensitivity (1 W @ 1 m)	Imp.		Nom. Disp. (H x V)	Peak/Cont./RMS	70 V Taps	100 V Taps	Connectors	Dimensions (H x W x D)	Weight
CL106	6"/1"	69 Hz - 15 kHz	90 dB	8 Ω		90° x 70° Rotatable	400/200/100	—	—	—	17.7 x 10.2 x 11.3" / 450 x 260 x 286 mm	20.7 lbs / 9.4 kg
CL106T	6"/1"	69 Hz - 15 kHz	90 dB	—		90° x 70° Rotatable	—	12.5/25/50 100 W	25/50 100 W	Speakon + Barrier Strip	17.7 x 10.2 x 11.3" / 450 x 260 x 286 mm	23.3 lbs / 10.6 kg
CL108	8"/1"	60 Hz - 15 kHz	91 dB	8 Ω		90° x 70° Rotatable	600/300/150	—	—	Barrier Strip	19.3 x 10.2 x 11.3" / 490 x 260 x 286 mm	20.9 lbs / 9.5 kg
CL108T	8"/1"	60 Hz - 15 kHz	91 dB	—		90° x 70° Rotatable	—	12.5/25/50 100 W	25/50 100 W	Speakon + Barrier Strip	19.3 x 10.2 x 11.3" / 490 x 260 x 286 mm	23.6 lbs / 10.7 kg
CL206	2 x 6"/1"	64 Hz - 15 kHz	90 dB	4 Ω		90° x 70° Rotatable	800/400/200	—	—	Barrier Strip	25 x 10.2 x 11.7" / 635 x 260 x 296 mm	29.5 lbs / 13.4 kg
CL206T	2 x 6"/1"	64 Hz - 15 kHz	90 dB	—		90° x 70° Rotatable	—	25/50 100/200 W	50/100 200 W	Speakon + Barrier Strip	25 x 10.2 x 11.7" / 635 x 260 x 296 mm	33 lbs / 15 kg
CL208	2 x 8"/1.35"	55 Hz - 15 kHz	91 dB	4 Ω		90° x 70° Rotatable	800/400/200	—	—	Barrier Strip	28.4 x 10.2 x 11.9" / 720 x 260 x 302 mm	32.4 lbs / 14.7 kg
CL208T	2 x 8"/1.35"	55 Hz - 15 kHz	91 dB	—		90° x 70° Rotatable	—	25/50 100/200 W	50/100 200 W	Speakon + Barrier Strip	28.4 x 10.2 x 11.9" / 720 x 260 x 302 mm	35.9 lbs / 16.3 kg

# CL Large-Format Loudspeakers



## Exceptional Output and Accurate Directivity in a Beautiful Package



### CL Series Large Format Common Features:

- 4 two-way models with choice of 12" or 15" high output woofers and top quality compression drivers
- 4 three-way models with choice of 12" or 15" high output woofers include 6" cone-horn-loaded midrange for enhanced output and intelligibility
- Rotatable horns for superior versatility and performance
- Passive crossover network utilizes premium components with integral transducer protection and allow full-range or bi-amp operation
- Dual professional speaker connectors (compatible with Neutrik Speakon) and 4-position terminal strip
- Internally braced, acoustically-inert 15° trapezoidal birch plywood enclosure
- Powder-coated steel grille with color-matched, acoustically-transparent fabric wrap
- Multiple reinforced threaded inserts for easy suspension and aiming
- OmniMount bolt pattern for 3rd party mounts
- Models available in black or white finish
- Optional color matched mounting brackets available
- Optional CL FK (black) and CL FK-WH array brackets

**CL2264 / CL2264-WH** Mid-Size 60° H x 40°, 2-Way, 8 Ω Loudspeaker System with 12" Low-Frequency and 1.35" High-Frequency Transducers

**CL2296 / CL2296-WH** Mid-Size 90° H x 60°, 2-Way, 8 Ω Loudspeaker System with 12" Low-Frequency and 1.35" High-Frequency Transducers

- Frequency response: 46 Hz to 18 kHz (+/- 3 dB)
- Sensitivity: 96 dB (1 W @ 1 meter)
- Maximum rated SPL: 125 dB (peak @ 1 meter)
- Power handling: 800 W peak / 400 W continuous / 200 W RMS (per IEC268-5 standard; pink noise at rated power for 100 hours)
- Optional mounting bracket: CL2200 YB (black), CL2200 YB-WH (white)

**CL2564 / CL2564-WH** Mid-Size 60° H x 40°, 2-Way, 8 Ω Loudspeaker System with 15" LF and 1.35" HF Transducers

**CL2596 / CL2596-WH** Mid-Size 90° H x 60°, 2-Way, 8 Ω Loudspeaker System with 15" LF and 1.35" HF Transducers

- Frequency response: 42 Hz to 18 kHz (+/- 3 dB)
- Sensitivity: 96 dB (1 W @ 1 meter)
- Maximum rated SPL: 125 dB (peak @ 1 meter)
- Power handling: 800 W peak / 400 W continuous / 200 W RMS (per IEC268-5 standard; pink noise at rated power for 100 hours)
- Optional mounting bracket: CL2500 YB (black), CL2500 YB-WH (white)

**CL3264 / CL3264-WH** High-Power 60° H x 40°, 3-Way, 8 Ω Loudspeaker System with 12" LF, 6" MF and 1.35" HF Transducers

**CL3296 / CL3296-WH** High-Power 90° H x 60°, 3-Way, 8 Ω Loudspeaker System with 12" LF, 6" MF and 1.35" HF Transducers

- Frequency response: 42 Hz to 18 kHz (+/- 3 dB)
- Sensitivity: 96 dB (1 W @ 1 meter)
- Maximum rated SPL: 125 dB (peak @ 1 meter)
- Power handling: 800 W peak / 400 W continuous / 200 W RMS (per IEC268-5 standard; pink noise at rated power for 100 hours)
- Optional mounting bracket: CL3200 YB (black), CL3200 YB-WH (white)

**CL3564 / CL3564-WH** High-Power 60° H x 40°, 3-Way, 8 Ω Loudspeaker System with 15" LF, 6" MF and 1.35" HF Transducers

**CL3596 / CL3596-WH** High-Power 90° H x 60°, 3-Way, 8 Ω Loudspeaker System with 15" LF, 6" MF and 1.35" HF Transducers

- Frequency response: 37 Hz to 18 kHz (+/- 3 dB)
- Sensitivity: 97 dB (1 W @ 1 meter)
- Maximum rated SPL: 128 dB (peak @ 1 meter)
- Power handling: 1200 W peak / 600 W continuous / 300 W RMS (per IEC268-5 standard; pink noise at rated power for 100 hours)
- Optional mounting bracket: CL3500 YB (black), CL3500 YB-WH (white)

# CL Subwoofers



## Dynamic and Powerful Low End Enhancement



### CL Subwoofer Common Features:

- Exceptional sound quality with ultra-LF extension and linear response
- Choice of dual 8", dual 12" or single 18" high output woofers in precision tuned, compact enclosures
- Passive crossover network utilizes premium components with integral transducer protection and provides filtered high pass output for full range satellite loudspeakers
- Dual professional speaker connectors (compatible with Neutrik Speakon) and 4-position terminal strip

- Internally braced, acoustically-inert birch plywood enclosure
- Powder-coated steel grille with color-matched, acoustically-transparent fabric wrap
- Multiple reinforced threaded inserts for easy suspension and aiming
- Durable black finish

**CL208S** Compact High-Power, 4 Ω Subwoofer with Dual 8" LF Transducers

- Frequency response: 46 Hz to 150 Hz (+/- 3 dB)
- Sensitivity: 94 dB (1 W @ 1 meter)
- Maximum rated SPL: 123 dB (peak @ 1 meter)
- Power handling: 800 W peak / 400 W continuous / 200 W RMS (per IEC268-5 standard; pink noise at rated power for 100 hours)

**CL212S** High-Power, 4 Ω Subwoofer System with Dual 12" LF Transducers

- Frequency response: 37 Hz to 200 Hz (+/- 3 dB)
- Sensitivity: 99 dB (1 W @ 1 meter)
- Maximum rated SPL: 130 dB (peak @ 1 meter)
- Power handling: 1200 W peak / 600 W continuous / 300 W RMS (per IEC268-5 standard; pink noise at rated power for 100 hours)

**CL118S** High-Power, 8 Ω Subwoofer System with 18" LF Transducer

- Frequency response: 32 Hz to 130 Hz (+/- 3 dB)
- Sensitivity: 99 dB (1 W @ 1 meter)
- Maximum rated SPL: 131 dB (peak @ 1 meter)
- Power handling: 1600 W peak / 800 W continuous / 400 W RMS (per IEC268-5 standard; pink noise at rated power for 100 hours)

	LF/MF/HF Driver	Freq. Response (+/- 3 dB)	Sensitivity (1 W @ 1 m)	Imp.	Nom. Disp. (H x V)	Peak/Cont./RMS	Connectors	Dimensions (H x W x D)	Weight
<b>CL2264</b>	12"/1.35"	46 Hz - 18 kHz	96 dB	8 Ω	60° x 40° Rotatable	800/400/200	Speakon + Barrier Strip	29.5 x 15.4 x 16.9" / 749 x 390 x 429 mm	57.6 lbs / 26.2 kg
<b>CL2296</b>	12"/1.35"	46 Hz - 18 kHz	96 dB	8 Ω	90° x 60° Rotatable	800/400/200	Speakon + Barrier Strip	29.5 x 15.4 x 16.9" / 749 x 390 x 429 mm	55.2 lbs / 25.1 kg
<b>CL2564</b>	15"/1.35"	42 Hz - 18 kHz	96 dB	8 Ω	60° x 40° Rotatable	800/400/200	Speakon + Barrier Strip	32.4 x 18.5 x 16.5" / 823 x 470 x 418 mm	67.1 lbs / 30.5 kg
<b>CL2596</b>	15"/1.35"	42 Hz - 18 kHz	96 dB	8 Ω	90° x 60° Rotatable	800/400/200	Speakon + Barrier Strip	32.4 x 18.5 x 16.5" / 823 x 470 x 418 mm	67.1 lbs / 30.5 kg
<b>CL3264</b>	12"/6"/1.35"	42 Hz - 18 kHz	96 dB	8 Ω	60° x 40° Rotatable	800/400/200	Speakon + Barrier Strip	31.9 x 18.5 x 16.5" / 811 x 470 x 418 mm	68.9 lbs / 31.3 kg
<b>CL3296</b>	12"/6"/1.35"	42 Hz - 18 kHz	96 dB	8 Ω	90° x 60° Rotatable	800/400/200	Speakon + Barrier Strip	35.0 x 18.5 x 16.5" / 890 x 470 x 418 mm	67.8 lbs / 30.8 kg
<b>CL3564</b>	15"/6"/1.35"	37 Hz - 18 kHz	97 dB	8 Ω	60° x 40° Rotatable	1200/600/300	Speakon + Barrier Strip	35.0 x 18.5 x 16.5" / 890 x 470 x 418 mm	77.4 lbs / 35.2 kg
<b>CL3596</b>	15"/6"/1.35"	37 Hz - 18 kHz	97 dB	8 Ω	90° x 60° Rotatable	1200/600/300	Speakon + Barrier Strip	35.0 x 18.5 x 16.5" / 890 x 470 x 418 mm	75.7 lbs / 34.4 kg
	LF Driver	Freq. Response (+/- 3 dB)	Sensitivity (1 W @ 1 m)	Imp.	Nom. Disp. (H x V)	Peak/Cont./RMS	Connectors	Dimensions (H x W x D)	Weight
<b>CL208S</b>	2 x 8"	46 - 150 Hz	94 dB	4 Ω	360°	800/400/200	Speakon + Barrier Strip	11.3 x 25.6 x 14.6" / 286 x 650 x 371 mm	45 lbs / 20.4 kg
<b>CL212S</b>	2 x 12"	37 - 200 Hz	99 dB	4 Ω	360°	1200/600/300	Speakon + Barrier Strip	15.4 x 35.9 x 16.6" / 392 x 912 x 421 mm	73.4 lbs / 33.3 kg
<b>CL118S</b>	1 x 18"	29 - 200 Hz	99 dB	8 Ω	360°	800/800/400	Speakon + Barrier Strip	26.6 x 21.7 x 22.1" / 676 x 550 x 561 mm	86 lbs / 39 kg





# SL On-Wall Loudspeakers



## Studio Monitor Accuracy and Extreme Versatility



Easy to Install



Mounting Bracket Included



Blends Well with Contemporary Architecture

Discarding the classic box shape of traditional surface mount loudspeakers, BEHRINGER has created a sleek shape with smooth curves that do not detract from the ambiance of its location, but instead enhance it. Innovation and originality continues with our mounting system, which provides exceptional range of motion, on both axes. Durability, rugged construction, dual impedance modes\* and incredible weather resistance make these speakers perfectly suited for foreground music, AV playback, and distributed sound reinforcement applications.

\* Dual impedance mode not included with SL4210 or SL4208S

	LF/HF Driver	Freq. Response (+/- 3 dB)	Sensitivity (1 W @ 1 m)	Imp.	Nom. Disp.	Watts RMS	70 V Taps	100 V Taps	Connectors	Dimensions (H x W x D)	Weight
SL4210	3.5" x 1.18" Full Range	150 Hz - 18 kHz	80 dB	*	150° x 150°	10 W	10/5/2.5 1.25 W	10/5 2.5 W	Euroblock 5 pts	6 x 3.8 x 4.5" 152 x 97 x 114 mm	2.2 lbs 1 kg
SL4220	4"/0.75"	120 Hz - 20 kHz	86 dB	16 Ω	120° x 120°	30 W	30/15/7.5 4 W	30/15 7.5 W	Euroblock 4 pts	9.1 x 5.9 x 6.7" 231 x 150 x 171 mm	4.4 lbs 2 kg
SL4230	6"/1"	100 Hz - 20 kHz	88 dB	16 Ω	120° x 120°	75 W	60/30/15 7.5 W	60/30 15 W	Euroblock 4 pts	12.5 x 7.8 x 8.1" 311 x 200 x 206 mm	8.8 lbs 4 kg
SL4240	8"/1"	85 Hz - 20 kHz	89 dB	16 Ω	120° x 120°	100 W	60/30/15 7.5 W	60/30 15 W	Euroblock 4 pts	16 x 10.4 x 10.7" 406 x 264 x 274 mm	13.2 lbs 6 kg
SL4208S	8"	60 - 180 Hz	90 dB	*	360°	160 W	80/40/20 10 W	80/40 20 W	Barrier Strip 4 pts	19 x 8.4 x 18.6" 483 x 214 x 477 mm	44.1 lbs 20 kg

\* 70.7 V / 100 V Operation only



### SL Series Common Features:

- Perfect for use in public address, foreground and background music systems
- Exceptional sound quality with wide frequency bandwidth and uniform dispersion
- Tuned and ported design for maximum low frequency response
- Switchable full-range and high-pass satellite modes for maximum versatility\*
- Professional 4-pole Euroblock input connector allows easy "daisy chain" connections\*
- Contemporary, rounded design composite enclosure for low-resonance performance
- Includes dual axis mounting hardware for 90° vertical and 180° horizontal positioning
- 16 Ω operation via transformer bypass switch allows 4 units to be powered via 2-CH traditional receiver/amp in classroom applications (full range models only)\*

\* Not included on SL4210 or SL4208S



### SL4210 / SL4210-WH Ultra-Compact, Surface-Mounted 10-Watt Loudspeaker

- 3.5" x 1.18" Full range loudspeaker provides exceptional frequency response and ultra-wide 150° dispersion
- 1.25 W, 2.5 W, 5 W & 10 W power selection @70.7 V (2.5 W, 5 W & 10 W @ 100 V)
- 80 dB sensitivity (1 W/1 m)



### SL4220 / SL4220-WH Compact, Surface-Mounted 30-Watt, 4" Loudspeaker

- 4" woofer and 3/4" high-frequency transducer provide exceptional frequency response and wide 120° dispersion
- 4 W, 7.5 W, 15 W & 30 W power selection @70.7 V (7.5 W, 15 W & 30 W @ 100 V), plus transformer bypass mode for 16 Ω operation
- 86 dB sensitivity (1 W/1 m)



### SL4230 / SL4230-WH Compact, Surface-Mounted 75-Watt, 6" Loudspeaker

- 6" woofer and 1" high-frequency transducer provide exceptional frequency response and wide 120° dispersion
- 7.5 W, 15 W, 30 W & 60 W power selection @70.7 V (15 W, 30 W & 60 W @ 100 V), plus transformer bypass mode for 16 Ω operation
- 88 dB sensitivity (1 W/1 m)



### SL4240 / SL4240-WH Surface-Mounted 100-Watt, 8" Loudspeaker

- 8" woofer and 1" high-frequency transducer provide exceptional frequency response and wide 120° dispersion
- 7.5 W, 15 W, 30 W & 60 W power selection @70.7 V (15 W, 30 W & 60 W @ 100 V), plus transformer bypass mode for 16 Ω operation
- 89 dB sensitivity (1 W/1 m)

### SL4208S Compact, Surface-Mounted 200-Watt, 8" Subwoofer

- High-performance, surface-mountable subwoofer for high-quality foreground music and AV playback
- Exceptional sound quality and uniform dispersion
- 200-Watt, 8" low-frequency driver mounted in a ported reflex enclosure provides exceptional bass response
- Built-in low-pass crossover and overload circuitry ensures optimal driver protection
- Concealed secure 5-position terminal strip
- Contemporary low-resonance enclosure for optimal performance

# ST In-Ceiling Loudspeakers

## Precision Dispersion and Seamless Integration



Wide, Even Coverage



Blends Well with Contemporary Architecture



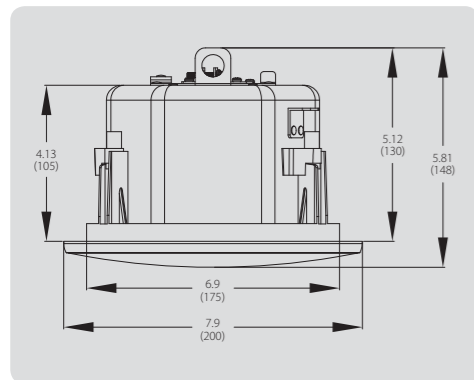
Easy to Install



### ST2400NANO Compact, 30-Watt, 4" Ceiling Loudspeaker Assembly

- 4" depth enclosure design is perfect for low clearance plenums
- 4" woofer and 1/2" high frequency transducer provide exceptional frequency response and wide dispersion
- Suggested for ceiling heights up to 12'
- 1.25 W, 2.5 W, 5 W & 10 W power selection @ 70.7 V (2.5 W, 5 W & 10 W @ 100 V), plus transformer bypass mode for 8 Ω operation
- 86 dB sensitivity (1 W/1 m)

### ST2400NANO Dimensions



### ST Series Common Features:

- Ceiling-mount, "blind fit" loudspeakers perfect for use in public address, foreground and background music systems
- Exceptional sound quality with wide frequency bandwidth and uniform dispersion
- Tuned and ported design for maximum low frequency response

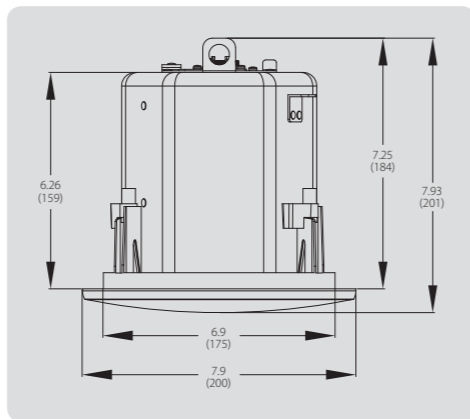


ST Series loudspeakers are unlike any in-ceiling speaker you've seen or heard! With our exceptional aesthetics and premium-grade sound, the ST Series features a proprietary range of concentric drivers that deliver exceptionally broad frequency response and ultra-wide dispersion; all manufactured to exacting quality control standards in our BEHRINGER manufacturing facility. Offered in a variety of full-range and complementary subwoofer models, the EUROCOM ST Series offers unmatched performance, style and value.

### ST2400 Compact, 30-Watt, 4" Ceiling Loudspeaker Assembly

- 4" woofer and 3/4" high frequency transducer provide exceptional frequency response and wide dispersion
- Suggested for ceiling heights up to 12'
- 4 W, 7.5 W, 15 W & 30 W power selection @ 70.7 V (7.5 W, 15 W & 30 W @ 100 V), plus transformer bypass mode for 8 Ω operation
- 86 dB sensitivity (1 W/1 m)

### ST2400 Dimensions



- Switchable full-range and high-pass satellite modes for maximum versatility (full-range models only)
- Professional 4-pole Euroblock input connector allows easy "daisy chain" connections
- Zinc coated deep-draw enclosure includes seismic restraint tab
- Easy conduit connection via top mounted access panel
- Ships with split "C" ring and tile support rails for quick, easy installation (optional new construction ring also available)
- Ships with white powder-coat, press-fit steel grille. Optional black grille available to match blacked-out ceilings
- UL Listed for use in air handling spaces (UL2043 and UL1480)

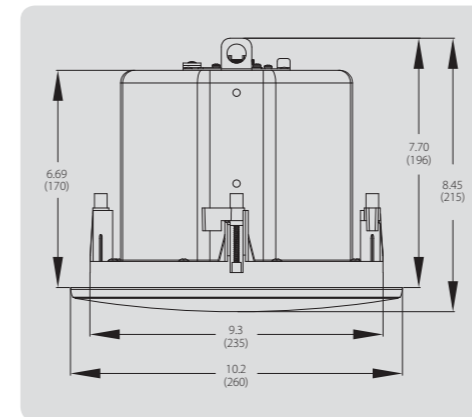


Shown with optional black grille

### ST2600 Compact, 60-Watt, 6.5" Ceiling Loudspeaker Assembly

- 6.5" woofer and 3/4" high frequency transducer provide exceptional frequency response and wide dispersion
- Suggested for ceiling heights up to 18'
- 7.5 W, 15 W, 30 W & 60 W power selection @ 70.7 V (15 W, 30 W & 60 W @ 100 V), plus transformer bypass mode for 8 Ω operation
- 89 dB sensitivity (1 W/1 m)

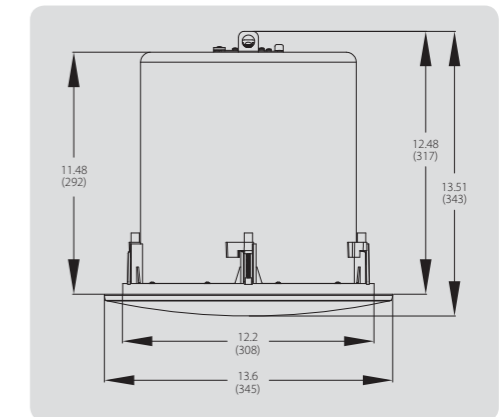
### ST2600 Dimensions



### ST2085 High-Power 80-Watt, 8" Ceiling Foreground Subwoofer

- 8" high-excursion driver for maximum bass impact
- Band pass design and internal passive crossover minimizes woofer localization
- 10 W, 20 W, 40 W & 80 W power selection @ 70.7 V (20 W, 40 W & 80 W @ 100 V), plus transformer bypass mode for 8 Ω operation
- 89 dB sensitivity (1 W/1 m)

### ST2085 Dimensions



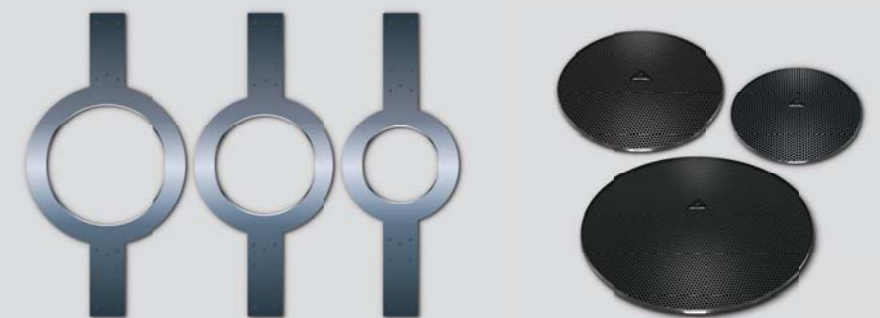
### Optional Accessories for ST Series

New construction plaster rings:

- ST2400 PR for ST2400 and ST2400NANO
- ST2600 PR for ST2600
- ST2085 PR for ST2085

Black grille:

- ST2400-BG for ST2400 and ST2400NANO
- ST2600-BG for ST2600
- ST2085-BG for ST2085



ST Series Plaster/New Construction Rings

Optional Black Grilles for ST Series

	LF/HF Driver	Freq. Response (+/- 3 dB)	Sensitivity (1 W @ 1 m)	Imp.	Nom. Disp. (H x V)	Watts RMS/Prog	70 V Taps	100 V Taps	Connectors	Outer Diameter	Cutout Diameter	Weight
ST2400NANO	4"/0.5"	105 Hz - 20 kHz	86 dB	8 Ω	150°	40 W	10/5 2.5/1.25 W	10/5 2.5 W	Euroblock 4 pts	7.9" 200 mm	6.9" 175 mm	7.7 lbs 2.1 kg
ST2400	4"/0.75"	100 Hz - 20 kHz	87 dB	8 Ω	150°	60 W	30/15 7.5/4 W	30/15 7.5 W	Euroblock 4 pts	7.9" 200 mm	6.9" 175 mm	5.3 lbs 2.4 kg
ST2600	6.5"/0.75"	85 Hz - 20 kHz	89 dB	8 Ω	150°	120 W	60/30 15/7.5 W	60/30 15 W	Euroblock 4 pts	10.2" 260 mm	9.3" 235 mm	7.0 lbs 3.2 kg
ST2085	8"	55 Hz - 150 Hz	89 dB	8 Ω	180°	160 W	80/40 20/10 W	80/40 20 W	Euroblock 4 pts	13.6" 345 mm	12.2" 308 mm	21 lbs 9.5 kg

# TN6232



## 100% Automatic Feedback Suppression



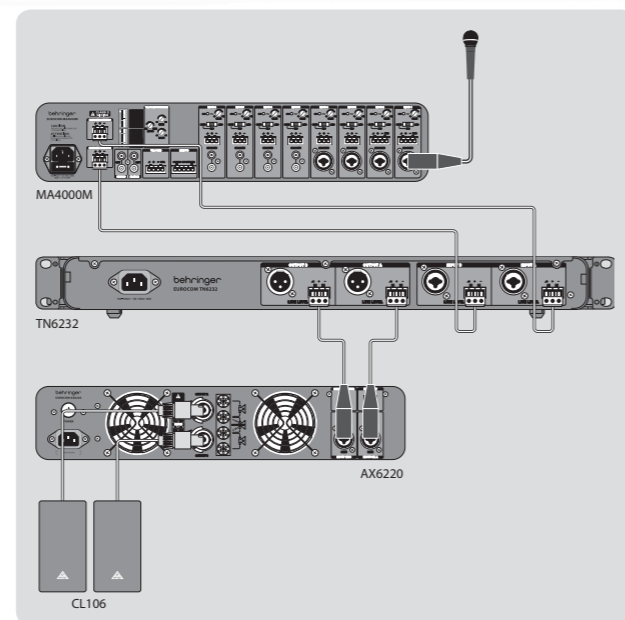
The fully automatic TN6232 professional dual-channel feedback suppression processor is the latest state-of-the-art advancement from BEHRINGER, one of the world's leading manufacturers of feedback suppressors. From conference rooms to concert halls, any venue with a sound reinforcement system will benefit from the TN6232's unprecedented performance and value.

In designing the TN6232, our engineers have delivered a fully automatic feedback suppressor requiring no advance setup or tuning. Functioning in real time, and with detection accuracy to within one-sixth of a cycle, the TN6232 is an elegant "plug and play" solution to one of live sound's most vexing problems. Say goodbye to feedback forever with the EUROCOM TN6232.

### TN6232 Ultra-Fast and Fully Automatic Dual-Channel Feedback Suppression Processor

- Dual-channel feedback suppression processor designed for fully automatic and zero-configuration setup
- Offers up to 10 dB increase in system gain
- Instantly detects and stops acoustic feedback. Highly effective with both speech and music
- Ultra-fast and highly accurate DSP selects and applies up to 32 filters per channel
- Two fully independent audio channels to process stereo or separate zone signals
- Extremely narrow filters (up to 1/30th octave) to retain overall signal integrity
- Two balanced/unbalanced inputs on combination line level XLR/TRS and 3-pin Euroblock connectors

### Example Application



- Hinged front door panel covers the control surface featuring suppression and filter reset buttons plus the power switch
- Rack ear screw covers, IEC-type AC power cord and all mating Euroblock connectors included
- Ultra-light, ultra-low noise and ultra-efficient switch-mode power supply for noise-free audio, superior transient response and low power consumption



# SPL3220



## Perfect Sound + Total Protection



Whether in a club, a church or an outdoor festival, the ability to control sound volume has always been a challenge. Especially in today's regulatory environment, it is extremely important for proprietors to have a solution in place to prevent complaints and fines, and to protect their customers and sound system when an over-enthusiastic engineer decides to "crank it up." The EUROCOM SPL3220 offers the ideal solution, providing dependable, seamless full-loudness control—without sacrificing the sonic integrity of the sound system, or listening pleasure of the audience.

Thanks to onboard, multiband Interactive Gain Control (IGC) and Interactive Knee Adaptation (IKA) compression, the SPL3220 allows you to apply processing with surgical precision for maximum punch and intelligibility—without the audible artifacts associated with traditional, broadband dynamics processors. Additionally, the SPL3220 can be used for mix leveling and maximizing signal density at low volumes, where perceived loudness becomes even more important. Add to this the ability to enhance speech intelligibility and provide exceptional loudspeaker protection, while preserving dynamic range—and the EUROCOM SPL3220 becomes an essential part of any audio engineer's toolkit.

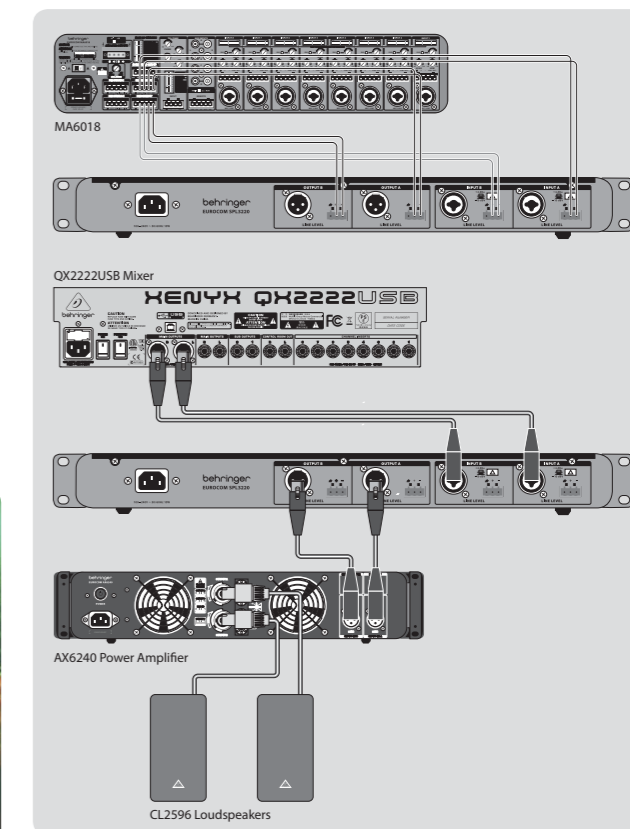
Professional XLR/TRS combination and Euroblock connectors provide ultimate versatility, allowing the SPL3220 to be inserted in-line prior to house amplification, no matter the configuration. Built-in hard-bypass relays ensure system protection and signal continuity in the event of a power failure or accidental disconnect. High-accuracy I/O Level and Gain Reduction meters plus an elegant, intuitive control panel make optimal system setup fast and easy. SPL3220's control panel access cover can even be sealed to prevent unauthorized access, providing total system security.



### SPL3220 Stereo Multiband Sound Processor / Loudness Maximizer / Limiter

- Professional multiband sound processor for public address, broadcasting and mastering applications
- Multiband technology provides for brilliant and lively audio processing without audible "pumping" artifacts
- Loudness maximization to achieve ultimate signal density for public address and competitive broadcast sound
- Leveler automatically adjusts signal density for harmonized loudness and enhanced listening experience
- Protects speaker systems that are submitted to continuous operation at maximum SPL
- Controls the maximum allowable sound pressure level in public musical environments such as discotheques, pubs, etc.
- Speech enhancer to dramatically increase speech intelligibility for PA applications such as airports and emergency announcement systems
- IKA (Interactive Knee Adaptation) compressor features "inaudible" compression and prevents "pumping" due to low-frequency signals
- IGC (Interactive Gain Control) peak limiting circuitry combines clipper and program limiter for reliable and inaudible protection against signal peaks
- Highly accurate 8-segment input/output level and gain reduction meter
- True stereo operation through RMS energy summing for perfect stereo imaging
- Two balanced/unbalanced inputs on combination line level XLR/TRS and 3-pin Euroblock connectors
- Operating level switchable from +4 dBu to -10 dBv

### Example Application





**X32**  
Flagship 40-Channel Digital Mixer for Live PA,  
Monitoring and Recording



The X32 Digital Mixing Console has taken the entire audio world by storm, selling many thousands of units in its first production year. It has been praised by leading audio experts and engineers for its phenomenally user-friendly, intuitive layout and elegant workflow, literally changing the rules of the game when it comes to live performance and recording applications. Our new X32-Mix iPad App / X32-Edit App lets the operator listen to and adjust FOH and monitor mixes from anywhere in the venue, providing exceptional freedom and ease-of-use.

But, ease of use is just one of X32's many hallmarks. We turned to our sister company MIDAS, recognized as the gold standard in digital console design, for X32's superb mic preamps. We then added a dedicated channel strip section that puts 17 backlit buttons and 13 rotary controls with LED-collars right at your fingertips for nuanced adjustment of each channel's compressor, 4-band parametric EQ and much more. Each I/O channel has its own color backlit 128 x 64 LCD, providing all vital information at-a-glance. Dual AES50 ports, each with KLARK TEKNIK's rock-solid SuperMAC 48-channel I/O networking capability (a total of 96 inputs and outputs), make the X32 the ideal partner for our new S16 Digital Snake and P16 Personal Monitoring System.



When it comes to onboard effects, the X32 is second to none, featuring 8 true-stereo FX slots and high-quality simulations of world-famous peripherals, such as the Lexicon 480L\*, PCM70\*, EMT250\*, Quantec QRS\* and many more. The X32 can also run 4 true-stereo reverbs concurrently with 8 channels of 31-band graphic EQ without the need for expensive external hardware. With 40 channels of input and 25 mix buses in the output section, all of which can be processed individually, the X32 is perfect for the studio and configurable for live gigs of all sizes.

**Digital Mixing—Analog Price**

The BEHRINGER X32 sets a high benchmark for live sound mixing and provides a fantastic price-to-performance ratio. The X32 represents a major synergism between BEHRINGER, MIDAS and KLARK TEKNIK that delivers a full-featured digital mixer with so many input / output channels, extensive editing, flexible expansion options and an intuitive user interface at an amazing price point!

- 40-input channel, 25-bus digital mixing console for Studio and Live application
- 32 MIDAS-designed, fully programmable mic preamps for audiophile sound quality
- 25 Fully automated motorized 100 mm faders allow for instant overview, powerful scene management and DAW control
- 16 XLR outputs plus 6 additional line in/outputs, 2 phones connectors and a talkback section with integrated or external mic
- Individual and dynamic LCD Scribble Strips on all channels and buses creating easy assignment and intuitive channel distinction
- 32 x 32 channel audio interface over FireWire and USB 2.0, with DAW remote control emulating HUI\* and Mackie Control\*
- iPad\* and iPhone\* apps for professional remote operation available free of charge—no host PC required
- High-resolution 7" day-viewable Color TFT for easy viewing of workflow components and parameters
- Main LCR, 6 matrix buses and 16 mix buses each featuring inserts, 6-band parametric EQ's and full dynamics processing, plus 8 DCA and 6 mute groups
- Virtual FX rack featuring 8 true-stereo FX slots include high-end simulations such as Lexicon 480L\* and PCM70\*, EMT250\* and Quantec QRS\* etc.
- 40-Bit floating-point DSP features "unlimited" dynamic range with no internal overload and near-zero overall latency (0.8 msec)
- Powerful scene management for convenient handling of complex productions
- 48-channel Digital Snake ready\*\* via AES50 ports, featuring KLARK TEKNIK's SuperMAC networking capability for ultra-low jitter and latency

\* FireWire, iPhone and iPad are trademarks of Apple Inc., registered in the U.S. and other countries. The AES50 trademark is a property of the Audio Engineering Society, Inc. All third-party trademarks, including, but not limited to HUI, Mackie, Lexicon, PCM, EMT, Quantec, QRS, and ADAT are trademarks or registered trademarks of their respective owners. Their use neither constitutes a claim of the trademark nor affiliation of the trademark owners with MUSIC Group. Product names are mentioned solely as a reference for X32 compatibility and effects.



**S16 Digital Snake I/O**  
I/O Box with 16 Remote-Controllable Mic/Line Inputs,  
8 Outputs and AES50 Networking Featuring KLARK TEKNIK Super MAC Technology

The new BEHRINGER S16 Digital Snake makes it ultra-easy to connect your FOH (Front of House) console with the talent, on the stage or in the studio. With 16 fully programmable, remotely controllable MIDAS-design mic preamps (the same as in the X32) plus 8 analog, balanced XLR returns at the stage end, up to three S16 connect to the FOH via a single CAT5 cable without the need for a dedicated router. KLARK TEKNIK, a longtime industry-leader in the development of high-end digital audio processing, provided the SuperMAC technology that made all of this possible—BEHRINGER makes it affordable.

Running back and forth to FOH or trying to communicate with a tech on stage, can really put a crimp in your gig. S16's ingenious design allows you to select any of the 16 inputs, 8 buses or P16 output streams for immediate line checks right at the stage box. Additionally, you can set individual input Gain, apply +48 V phantom power, plus you have the option of listening directly to the input signal via headphones and much more. Once set, all configuration settings can be locked at the console for total system security.

The S16 also integrates seamlessly with the P16 Personal Monitoring System, providing an easy, affordable way to give your musicians and vocalists what they really want—"more me!"

**The Missing Link**

The S16 is the missing link between you and the stage and is available at a fraction of the cost of competing systems! Built tough for the road, the BEHRINGER S16 takes up just two rack spaces, connects with a single, inexpensive CAT5 cable—and we back it with an impressive 3-Year Warranty Program.

- 16 MIDAS-designed, fully programmable mic preamps for audiophile sound quality
- 8 analog, servo-balanced XLR outputs
- AES50 network ports featuring KLARK TEKNIK's SuperMAC networking capability for ultra-low jitter and latency
- Up to 100 m networking capability via CAT-5e cable (not included)
- Dual AES50 ports for cascading S16 units—no merger or router required
- Precise LED metering plus 7-segment displays for signal control on stage
- Phones output assignable to any of the inputs/outputs for on-stage monitoring
- Connectivity for BEHRINGER's P-16 Personal Monitoring System for In-Ear applications (not included)
- Dual ADAT outputs for use in splitter mode and stand-alone digital multicore applications
- MIDI In/Out for bi-directional communication between FOH console and on-stage MIDI devices
- USB connector for system updates via PC
- "Planet Earth" switching power supply for maximum flexibility (100 - 240 V~), noise-free audio, superior transient response plus low power consumption for energy saving
- "Built like a tank" yet compact, all-steel 2U rack-mount chassis

**P16**  
**16-Channel Digital Personal Monitoring System**



The P16's simple user interface makes it easy for even non-techies to dial-in the perfect monitor mix. For example, let's say the electric guitar is too loud in the lead vocalist's mix; they simply press the appropriate channel button (the one labeled E. GTR) and turn the Volume control to lower the guitar level in their mix. They can also adjust Pan (left to right mix), EQ (Bass, Mid with sweepable Freq control and Treble), and much more. All of these adjustments can be made without affecting anyone else's personal mix.

**P16-M — 16-Channel Digital Personal Mixer**

- 16-channel digital stereo mixer to create your personal monitor mix

**P16-I — 16-Channel 19" Input Module with Analog and ADAT Optical Inputs**

- Converts 16 analog inputs into 24-bit digital audio to be transmitted via standard CAT5 cable

**P16-D — 16-Channel Digital ULTRANET Distributor**

- Distribution Hub for P16-I for system expansion

\*\* S16 Digital Snake, P16 Personal Monitoring System, Smartphone, iPhone and iPad are not included.



## X32 COMPACT

Compact 40-Input Channel, 25-Bus Digital Mixing Console with 16 Programmable MIDAS Preamps, 17 Motorized Faders, Channel LCD's, Firewire/USB Audio Interface and iPad/iPhone\* Remote Control



The X32 COMPACT\*\*\* delivers the best of the flagship X32 console in a slightly smaller package for installs at smaller venues, houses of worship, theaters or discerning audiophiles who may not need as many local inputs or motorized faders. Ultimate connectivity remains the battle cry of the X32 COMPACT with its 40 inputs, 25 buses, 16 programmable MIDAS-designed mic preamps, FireWire and USB 2.0 recording capability. Not sure which X32 is right for you? We totally get it. That's why the entire X32 family is designed to be beautifully scalable through the powerful AES50 ports built right in. Connect the powerhouse S16 digital snakes to these inputs to add an additional 16 mic preamps to your setup. Need another X32 for side of stage or the broadcast control booth? X32 COMPACT packs all the features with the same great 7" TFT screen and customizable LCD scribble strip so you can take on the world of sound with all the firepower you'll ever need – without hauling a world of outboard gear and analog snake cables.

- Compact 40-input channel, 25-bus digital mixing console for Studio and Live application
- 16 MIDAS-designed, fully programmable mic preamps for audiophile sound quality
- 17 Fully automated motorized 100 mm faders allow for instant overview, powerful scene management and DAW control
- 8 XLR outputs plus 6 additional line in/outputs, 2 phones connectors and a talkback section with integrated or external mic
- Individual and dynamic LCD Scribble Strips on all channels and buses creating easy assignment and intuitive channel distinction
- 32 x 32 channel audio interface over FireWire and USB 2.0, with DAW remote control emulating HUI\* and Mackie Control\*
- iPad\* and iPhone\* apps for professional remote operation available free of charge—no host PC required
- High-resolution 7" day-viewable Color TFT for easy viewing of workflow components and parameters
- Main LCR, 6 matrix buses and all 16 mix buses each featuring inserts, 6-band parametric EQ's and full dynamics processing, plus 8 DCA and 6 mute groups
- Virtual FX rack featuring 8 true-stereo FX slots include high-end simulations such as Lexicon 480L\* and PCM70\*, EMT250\* and Quantec QRS\* etc.
- 40-Bit floating-point DSP features "unlimited" dynamic range with no internal overload and near-zero overall latency (0.8 msec)
- Powerful scene management for convenient handling of complex productions
- 48-channel Digital Snake ready\*\* via dual AES50 ports, featuring KLARK TEKNIK's SuperMAC networking capability for ultra-low jitter and latency
- USB type-A connector providing file storage and uncompressed stereo recordings plus show presets and system updates
- Dedicated and easy-to-use channel strip section with direct access controls and graphic user interface for intuitive workflow
- Additional user-definable control section allows to set up short-cuts to your favorite views or parameters
- ULTRANET connectivity for BEHRINGER's P-16 Personal Monitoring System\*\* plus AES/EBU stereo digital output and MIDI
- Networked remote control for show setups with on-screen software editor via Ethernet
- Built-in expansion port for audio interface cards or digital networking bridges
- Future firmware updates, incl. new FX "Plug Ins", downloadable from behringer.com free of charge



\* FireWire, iPhone and iPad are trademarks of Apple Inc., registered in the U.S. and other countries. The AES50 trademark is a property of the Audio Engineering Society, Inc. All trademarks, including, but not limited to HUI, Mackie, Lexicon, PCM, EMT, Quantec, and QRS are trademarks or registered trademarks of their respective owners. Their use neither constitutes a claim of the trademark nor affiliation of the trademark owners with MUSIC Group. Effects names are mentioned solely as a reference for X32 Compact and X32 Producer sound effects.



## X32 PRODUCER

40-Input Channel, 25-Bus Rack-Mountable Mixing Console with 16 Programmable MIDAS Preamps, 17 Motorized Faders, Firewire/USB Audio Interface and iPad/iPhone\* Remote Control



In designing the X32 PRODUCER\*\*\*, we packed as much of X32's capabilities as possible into a smaller form factor, giving it the processing power and I/O to handle virtually any project requirement. This streamlined, but powerful, new member of the X32 family will fan the flames of your creativity in mobile and installed applications.

19" rack-mountable and equipped with 16 MIDAS-designed mic preamps, X32 PRODUCER also comes with two AES50 ports to connect the powerful S16 digital snake for 16 additional XLR inputs and 8 returns. FireWire and USB 2.0 functionality make it the ideal tool for mobile recording, plus built-in control surface protocols make it a great companion to your favorite DAW. Controllable by iPad or PC, the X32 PRODUCER will amaze you with what it can do to help you produce.

- 40-input channel, 25-bus rack-mountable digital mixing console for Studio and Live application
- 16 MIDAS-designed, fully programmable mic preamps for audiophile sound quality
- 17 Fully automated motorized 100 mm faders allow for instant overview, powerful scene management and DAW control
- 8 XLR outputs plus 6 additional line in/outputs, a phones connector and a talkback section with XLR mic input
- 32 x 32 channel audio interface over FireWire and USB 2.0, with DAW remote control emulating HUI\* and Mackie Control\*
- iPad\* and iPhone\* apps for professional remote operation available free of charge—no host PC required
- High-resolution 5" day-viewable Color TFT for easy viewing of workflow components and parameters
- Main LCR, 6 matrix buses and all 16 mix buses each featuring inserts, 6-band parametric EQ's and full dynamics processing, plus 8 DCA groups and 6 mute groups
- Virtual FX rack featuring 8 true-stereo FX slots include high-end simulations such as Lexicon 480L\* and PCM70\*, EMT250\* and Quantec QRS\* etc.
- 40-Bit floating-point DSP features "unlimited" dynamic range with no internal overload and near-zero overall latency for mixing a total of 48 signals on 25 buses
- Powerful scene management for convenient handling of complex productions
- 48-channel Digital Snake ready\*\* via AES50 ports, featuring KLARK TEKNIK's SuperMAC networking capability for ultra-low jitter and latency
- USB type-A connector providing file storage and uncompressed stereo recordings plus show presets and system updates
- Dedicated and easy-to-use channel strip section with direct access controls and graphic user interface for intuitive workflow
- Additional user-definable control section allows to set up short-cuts to your favorite views or parameters
- ULTRANET connectivity for BEHRINGER's P16 Personal Monitoring System\*\*
- Networked remote control via Ethernet for show setups with on-screen software editor
- Built-in expansion port for audio interface cards or digital networking bridges
- MIDI In/Out for remote scene recall or controlling other MIDI equipment
- Future firmware updates, incl. new FX "Plug Ins", downloadable from behringer.com free of charge

\*\* S16 Digital Snake, P16 Personal Monitoring System, Smartphone, iPhone and iPad are not included.

\*\*\* This device has not been authorized by the rules of the Federal Communications Commission. This device is not, and may not be, offered for sale or lease, or sold or leased in the 50 U.S. states, the District of Columbia and U.S. possessions, until authorization is obtained.



## X32 RACK

40-Input Channel, 25-Bus Digital Rack Mixer with 16 Programmable MIDAS Preamps, 17 Motorized Faders, Firewire/USB Audio Interface and iPad/iPhone\* Remote Control



It can be your top-notch studio recording interface today, control a complex theatre production tomorrow, or sit securely in your side-rack while you're mixing your band's club gig from your iPad. The X32 RACK\*\*\* is a revolutionary new product genre that combines finest analog I/O and powerful digital connectivity, with ample processing for 40 channels, 25 buses and up to 152 signal sources. While every parameter of your mix can be adjusted directly on the X32 RACK through its 800 x 480 graphic UI, networked remote control literally makes room for new possibilities. Several instances of our X32-Edit PC/Mac application, X32-Mix app for iPad/iPad mini and X32-Q app for iPhone/iPod touch allow controlling the mix from exactly the place you find most suitable. 16 MIDAS-design mic preamps provide plenty of inputs—and with its dual AES50 ports, X32 RACK can support up to six S16 digital snakes for massive I/O connectivity.

8 powerful stereo FX engines coupled with ultra-flexible routing options make the X32 RACK the ideal choice for handling audio now—and as your needs grow.

- 40-input channel, 25-bus, 3U rack-mountable digital mixer for live and installed sound application
- 16 MIDAS-designed, fully programmable mic preamps for audiophile sound quality
- 8 XLR outputs plus 6 additional line in/outputs, a phones connector and a talkback section with XLR mic input
- 32 x 32 channel USB 2.0 audio interface
- iPad\* and iPhone\* apps for professional remote operation available free of charge—no host PC required
- High-resolution 5" day-viewable Color TFT for easy viewing of workflow components and parameters
- Main LCR, 6 matrix buses and all 16 mix buses each featuring inserts, 6-band parametric EQ's and full dynamics processing, plus 8 DCA and 6 mute groups
- Virtual FX rack featuring 8 true-stereo FX slots include high-end simulations such as Lexicon 480L\* and PCM70\*, EMT250\* and Quantec QRS\* etc.
- 40-Bit floating-point DSP features "unlimited" dynamic range with no internal overload and near-zero overall latency (0.8 msec)
- Powerful scene management for convenient handling of complex productions
- 48-channel Digital Snake ready\*\* via dual AES50 ports, featuring KLARK TEKNIK's SuperMAC networking capability for ultra-low jitter and latency
- USB type-A connector providing file storage and uncompressed stereo recordings plus show presets and system updates
- ULTRANET connectivity for BEHRINGER's P16 Personal Monitoring System\*\*
- Networked remote control via Ethernet for show setups with on-screen software editor
- Built-in expansion port for audio interface cards or digital networking bridges
- MIDI In/Out for remote scene recall or controlling other MIDI equipment
- Future firmware updates, incl. new FX "Plug Ins", downloadable from behringer.com free of charge



## X32 CORE

40-Input Channel, 25-Bus Digital Rack Mixer with AES50 Networked Audio, USB Audio Interface and iPad/iPhone\* Remote Control



The X32 Core\*\*\* takes the brain of the flagship X32 digital mixing console and packs it all into a single rack space. Combine the X32 CORE with our S16 digital snakes to effortlessly run sound with high I/O counts in multiple locations. Dual AES50 networking CAT5 connectors allow for up to 96 remote inputs and the same amount of output channels to be controlled from and processed by X32 CORE. All of this can be managed concurrently from various locations and instances of our free control software applications, X32-Q, X32-Mix and X32-Edit. A set of front panel controls can be pre-configured by the system contractor to enable a restricted amount of user interaction, while hiding away all the complexity. The rear panel expansion port allows inserting optional I/O cards to interface with existing networked audio infrastructure. When you are mixing in-the-box, a combination of X32 CORE with S16 I/O and P16 personal monitoring forms a high-grade studio production environment, with 32x32 USB recording interface, premium effects, zero-latency monitoring (independent from DAW) and 100% total recall.

- 40-input channel, 25-bus, 1U rack-mountable digital mixing core for live and installed sound application
- 48-channel Digital Snake ready\*\* via dual AES50 ports, featuring KLARK TEKNIK's SuperMAC networking capability for ultra-low jitter and latency
- 32 x 32 channel USB 2.0 audio interface
- iPad\* and iPhone\* apps for professional remote operation available free of charge—no host PC required
- 2 TRS outputs for local monitoring plus talkback mic input with trim control and front panel phones connector
- Main LCR, 6 matrix buses and all 16 mix buses featuring inserts, 6-band parametric EQ's and full dynamics processing, plus 8 DCA and 6 mute groups
- Virtual FX rack featuring 8 true-stereo FX slots include high-end simulations such as Lexicon 480L\* and PCM70\*, EMT250\* and Quantec QRS\* etc.
- Networked remote control for show setups with on-screen software editor via Ethernet
- Powerful scene management for convenient handling of complex productions
- USB type-A connector providing file storage and uncompressed stereo recordings plus show presets and system updates
- ULTRANET connectivity for BEHRINGER's P16 Personal Monitoring System\*\*
- Built-in expansion port for audio interface cards or digital networking bridges
- MIDI In/Out for remote scene recall or controlling other MIDI equipment
- Future firmware updates, incl. new FX "Plug Ins", downloadable from behringer.com free of charge



\* iPod touch, iPhone, iPad, iPad mini, and Mac are trademarks of Apple Inc., registered in the U.S. and other countries. The AES50 trademark is a property of the Audio Engineering Society, Inc. All trademarks, including, but not limited to Lexicon, PCM, EMT, Quantec, and QRS are trademarks or registered trademarks of their respective owners. Their use neither constitutes a claim of the trademark nor affiliation of the trademark owners with MUSIC Group. Effects names are mentioned solely as a reference for X32 Rack and X32 Core sound effects.

\*\* S16 Digital Snake, P16 Personal Monitoring System, Smartphone, iPhone, iPad, iPad mini and iPod touch are not included.  
\*\*\* This device has not been authorized by the rules of the Federal Communications Commission. This device is not, and may not be, offered for sale or lease, or sold or leased in the 50 U.S. states, the District of Columbia and U.S. possessions, until authorization is obtained.

## BEHRINGER Care

For service, support or additional information, please refer to [behringer.com](http://behringer.com) or contact the MUSIC Group company nearest you.

**Europe**  
MUSIC Group Services UK  
Klark Industrial Park, Walter Nash Road  
Kidderminster, Worcestershire DY11 7HJ  
United Kingdom  
Tel: +44 156 273 2290  
Email: [CARE@music-group.com](mailto:CARE@music-group.com)

**USA/Canada**  
MUSIC Group Services NV Inc.  
5270 Procyon Street  
Las Vegas, NV 89118  
USA  
Tel: +1 702 800 8290  
Email: [CARE@music-group.com](mailto:CARE@music-group.com)

**Japan**  
MUSIC Group Services JP K.K.  
ASSORTI Kodemacho Liens 10F  
Nihonbashi Kodemacho 14-10  
Chuo-ku Tokyo Japan 103-0001  
Tel: +81 3 6231 0454  
Email: [CARE@music-group.com](mailto:CARE@music-group.com)

Technical specifications and appearances are subject to change without notice. The information contained herein is correct at the time of printing. BEHRINGER, KLARK TEKNIK, MIDAS, BUGERA, and TURBOSOUND are part of the MUSIC Group ([music-group.com](http://music-group.com)). All trademarks are the property of their respective owners. MUSIC Group accepts no liability for any loss which may be suffered by any person who relies either wholly or in part upon any description, photograph or statement contained herein. Colors and specifications may vary from actual product. MUSIC Group products are sold through authorized fulfillers and resellers only. Fulfillers and resellers are not agents of MUSIC Group and have absolutely no authority to bind MUSIC Group by any express or implied undertaking or representation. This manual is copyrighted. No part of this manual may be reproduced or transmitted in any form or by any means, electronic or mechanical, including photocopying and recording of any kind, for any purpose, without the express written permission of MUSIC Group IP Ltd.

For the 3 year limited warranty, please see complete details online at [www.music-group.com/warranty](http://www.music-group.com/warranty).

ALL RIGHTS RESERVED. © 2013 MUSIC Group IP Ltd. Trident Chambers, Wickhams Cay, P.O. Box 146, Road Town, Tortola, British Virgin Islands.  
985-90000-00330 V8