



**MACKIE.**

**SRM350v3  
SRM450v3**

**1000W High-Definition  
Powered Loudspeakers**



## SRM350v3 & SRM450v3

The most widely used portable speakers ever; the all-new SRM450 and SRM350 deliver the unparalleled ease-of-use, professional sound quality and indestructible portability that made SRM a live sound legend. Now packed with 1000W of power, the widest selection of truly useful sound-enhancing DSP and setup-friendly audio tools, SRM is ready for your high-output application.

SRMs feature modern tools like application-specific speaker modes and an automatic feedback destroyer, each with a single-button interface that gets you optimized performance in just seconds. And with the integrated 2-channel mixer, you can easily mix multiple sources.

Only SRMs deliver this level of power and sound quality in such an indestructible, portable package.

### FEATURES:

- 1000W system power paired with custom transducers deliver gig-level volumes with room to spare
  - 10" high-output LF driver [SRM350v3]
  - 12" high-output LF driver [SRM450v3]
  - 1.4" titanium dome compression driver
- High-Definition Audio Processing for professional sound with unmatched clarity
  - Patented acoustic correction developed with touring geniuses at EAW®
  - Precision 2-way crossover
  - Driver time alignment and phase correction
- Quick one-button Speaker Mode selection for application-specific voicing (PA, DJ, Monitor and Soloist)
- Effortlessly eliminate nasty feedback with one-button automatic Feedback Destroyer
- Integrated 2-channel mixer featuring dual Wide-Z™ inputs
  - Handles anything from mics to guitars to mixers with a single twist of the gain knob
  - Includes stereo RCA inputs for easy connection to music source
  - Perfect for the singer/songwriter, plug in and leave the mixer at home
- Smart Protect™ DSP kicks in to protect your investment when things get pushed a little too hard
- Monitor-specific angle and voicing mode perfect for cutting through on stage
- Flyable for permanent install
- Proven highly-durable, portable design
  - 23.0 lb / 10.4 kg [SRM350v3]
  - 37.0 lb / 16.8 kg [SRM450v3]



**Like us**



**Follow us**



**Watch our dang videos**



SRM350v3  
SRM450v3

1000W High-Definition  
Powered Loudspeakers

## SRMv3 LOUDSPEAKER SPECIFICATIONS

### Acoustic Performance

Frequency Response (-3 dB)	55 Hz – 20 kHz [SRM350v3] 47 Hz – 20 kHz [SRM450v3]
Frequency Response (-10 dB)	50 Hz – 23 kHz [SRM350v3] 42 Hz – 23 kHz [SRM450v3]
Max peak SPL	126 dB [SRM350v3] 128 dB [SRM450v3]
Crossover Point	3 kHz
Dispersion (H x V)	90° x 80° [SRM350v3] 90° x 45° [SRM450v3]

### High-Frequency Section

Compression Driver	1.4 in / 36 mm
Diaphragm Material	Titanium
Magnet Material	Ferrite

### Low-Frequency Section

Woofer Diameter	10.0 in / 254 mm [SRM350v3] 12.0 in / 305 mm [SRM450v3]
Cone Material	Paper
Magnet Material	Ferrite

### Power Amplifiers

<b>System Power Amplification</b>	
Rated Power	500 watts rms 1000 watts peak

### Low Frequency Power Amplifier

Rated Power	400 watts rms 800 watts peak
Rated THD	< 1%
Cooling	Convection
Design	Class D

### High Frequency Power Amplifier

Rated Power	100 watts rms 200 watts peak
Rated THD	< 1%
Cooling	Convection
Design	Class AB

### Input / Output

<b>Channel 1</b>	
Mic-Line	8 kΩ balanced
1/4" TRS, Wide-Z™	1 MΩ unbalanced
<b>Channel 2</b>	
Mic-Line	8 kΩ balanced
1/4" TRS, Wide-Z™	1 MΩ unbalanced
RCA	25 kΩ unbalanced
Thru	Male XLR balanced [Passive when the Ch 1 / Mix switch is in the "out" (Ch 1) position] [Active when the Ch 1 / Mix switch is in the "in" (Mix) position]

### Power

US detachable line cord	100 – 120 VAC, 50 – 60 Hz, 160W
EU detachable line cord	220 – 240 VAC, 50 – 60 Hz, 160W
AC Connector	3-pin IEC 250 VAC, 10 A male
Power Supply Type	Switchmode
Operating Temperature [extended ambient temperature]	0 - 40 °C 32 - 104 °F

### Safety Features

Input Protection	Peak and RMS limiting, power supply and amplifier thermal protection
Display LEDs	Defeatable front power, input signal/OL, speaker mode, feedback destroyer on/off and active filters, system limiter

### Construction Features

Cabinet	Polypropylene
Finish	Black, textured finish
Grille	Perforated metal with weather-resistant coating
Fly Points	Three M10 x 1.5 x 20 mm [SRM450v3]
Monitor Angle	50° [SRM350v3] 40° [SRM450v3]

## SRMv3 LOUDSPEAKER SPECIFICATIONS CONT..

### Mounting Methods

SRM350v3: Floor mount, pole mount or fly via optional bracket.

SRM450v3: Floor mount, pole mount or fly via three integrated M10 mounting points (using M10 x 1.5 x 20 mm forged shoulder eyebolts).

### Physical Properties (packaged product)

SRM350v3	
Height	25.0 in / 635 mm
Width	15.2 in / 386 mm
Depth	13.2 in / 335 mm
Weight	29 lb / 13.2 kg

SRM450v3	
Height	29.0 in / 737 mm
Width	17.5 in / 445 mm
Depth	17.0 in / 432 mm
Weight	43 lb / 19.5 kg

### Physical Properties (product)

SRM350v3	
Height	20.8 in / 527 mm
Width	13.1 in / 333 mm
Depth	12.3 in / 311 mm
Weight	23 lb / 10.4 kg

SRM450v3	
Height	26.1 in / 663 mm
Width	16.0 in / 406 mm
Depth	14.8 in / 376 mm
Weight	37 lb / 16.8 kg

### Options


SRM350v3 Loudspeaker Bag	P/N 093-024-00
SRM450v3 Loudspeaker Bag	P/N 0002843
SPM200 Loudspeaker Pole Mount	P/N 2035170-01
PA-A1 Forged Shoulder Eyebolt Kit (3 x M10 x 1.5 x 20 mm)	P/N 0031943
SRM350v3 Bracket Kit	P/N 0016404

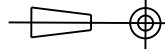
### Ordering Information

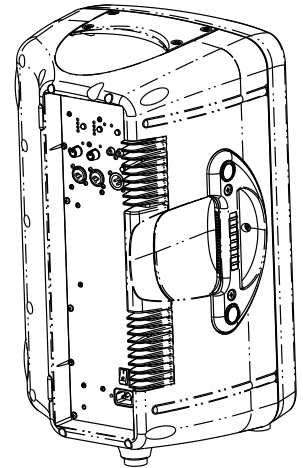
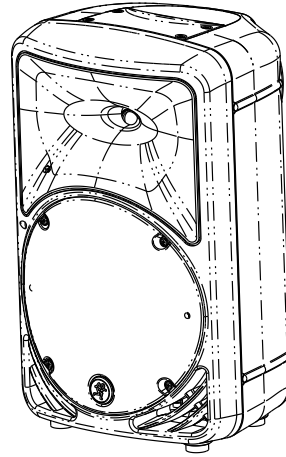
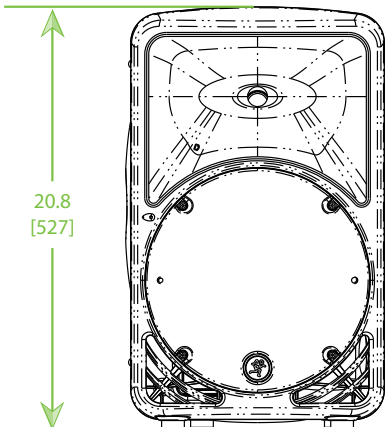
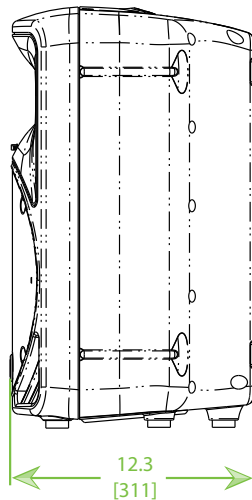
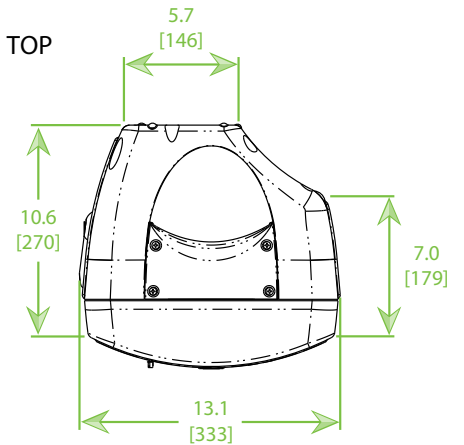
SRM350v3 1000W Powered Loudspeaker, US	P/N 2042789-00
SRM350v3 1000W Powered Loudspeaker, EU	P/N 2042789-01
SRM350v3 1000W Powered Loudspeaker, UK	P/N 2042789-03
SRM350v3 1000W Powered Loudspeaker, AU	P/N 2042789-04
SRM350v3 1000W Powered Loudspeaker, CN	P/N 2042789-05
SRM350v3 1000W Powered Loudspeaker, BZ (120V)	P/N 2042789-06
SRM350v3 1000W Powered Loudspeaker, BZ (230V)	P/N 2042789-16

SRM450v3 1000W Powered Loudspeaker, US	P/N 2042790-00
SRM450v3 1000W Powered Loudspeaker, EU	P/N 2042790-01
SRM450v3 1000W Powered Loudspeaker, UK	P/N 2042790-03
SRM450v3 1000W Powered Loudspeaker, AU	P/N 2042790-04
SRM450v3 1000W Powered Loudspeaker, CN	P/N 2042790-05
SRM450v3 1000W Powered Loudspeaker, BZ (120V)	P/N 2042790-06
SRM450v3 1000W Powered Loudspeaker, BZ (230V)	P/N 2042790-16

**SRM350v3 LOUDSPEAKER DIMENSIONS**
**NOTES:**

1. SYMBOL  INDICATES CENTER OF BALANCE.
2. WEIGHT APPROX. 23.0 lb [10.4 kg].
3. SHIPPING WEIGHT APPROX. 29 lb [13.2 kg].


THIRD ANGLE PROJECTION 	UNLESS OTHERWISE SPECIFIED: ALL DIMENSIONS ARE IN INCHES DUAL [MM] DIMENSIONS FOR REF ONLY  TOLERANCE IN INCHES LINEAR $\pm 0.13$ in / $\pm 3.3$ mm ANGLES $\pm 1^\circ$  (X.XX) = REF DIMS NO TOLERANCE IMPLIED  TSC = THEORETICAL SHARP CORNER  DIMENSIONS ACROSS CENTERLINES TO BE SYMMETRICAL
THE INFORMATION CONTAINED HEREIN IS PROPRIETARY AND CONFIDENTIAL PROPERTY OF LOUD TECHNOLOGIES, INC. ALL RIGHTS RESERVED	

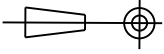

**FRONT**

**SIDE**

**TOP**


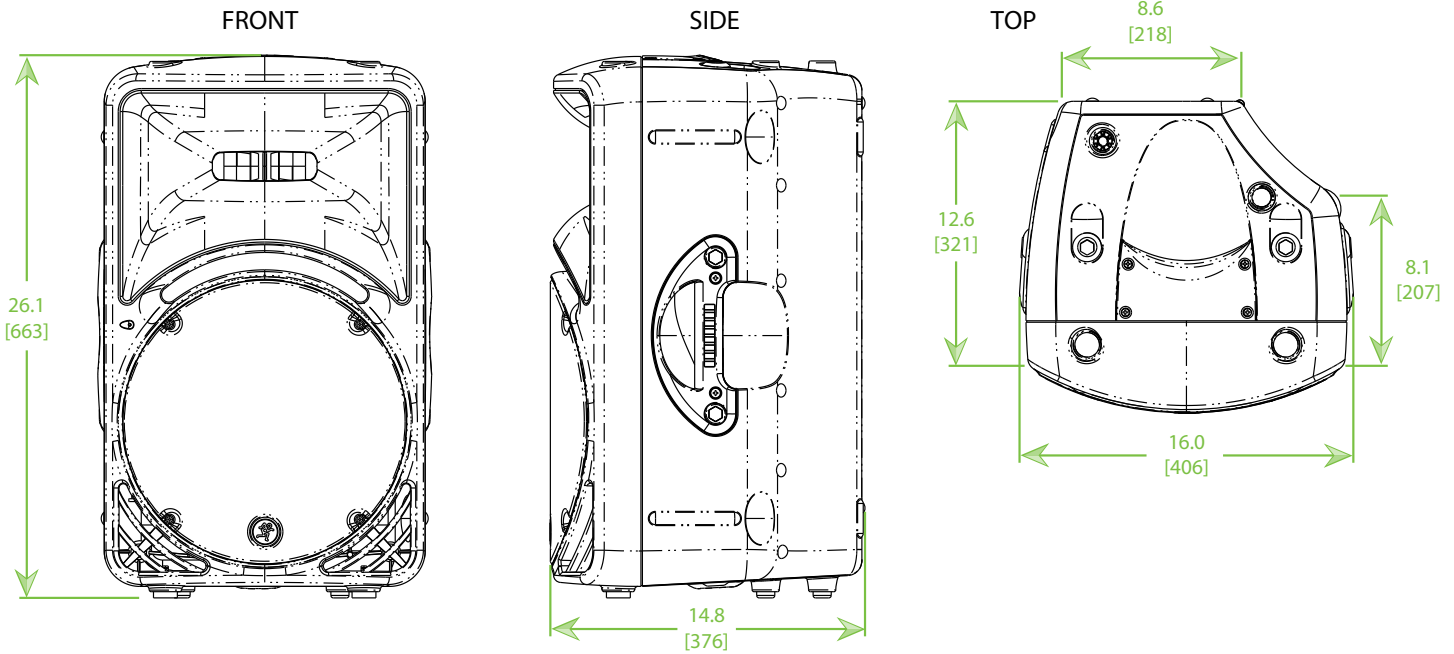
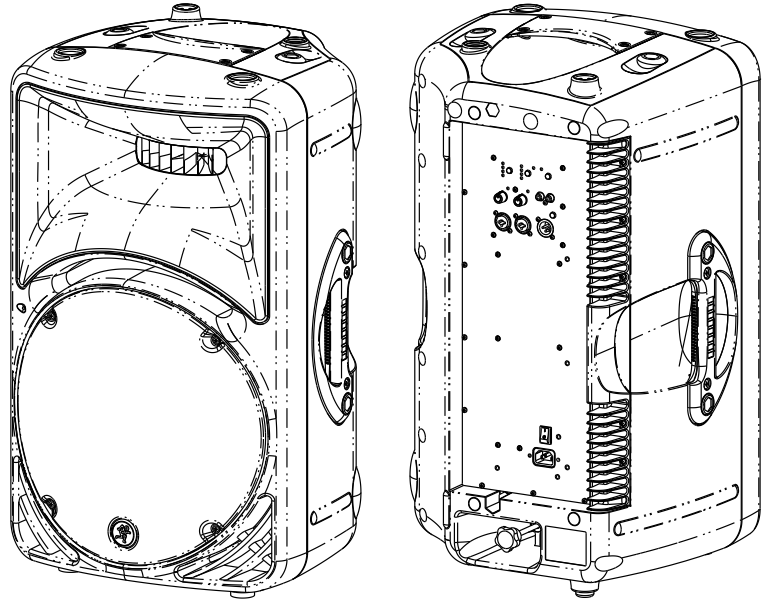


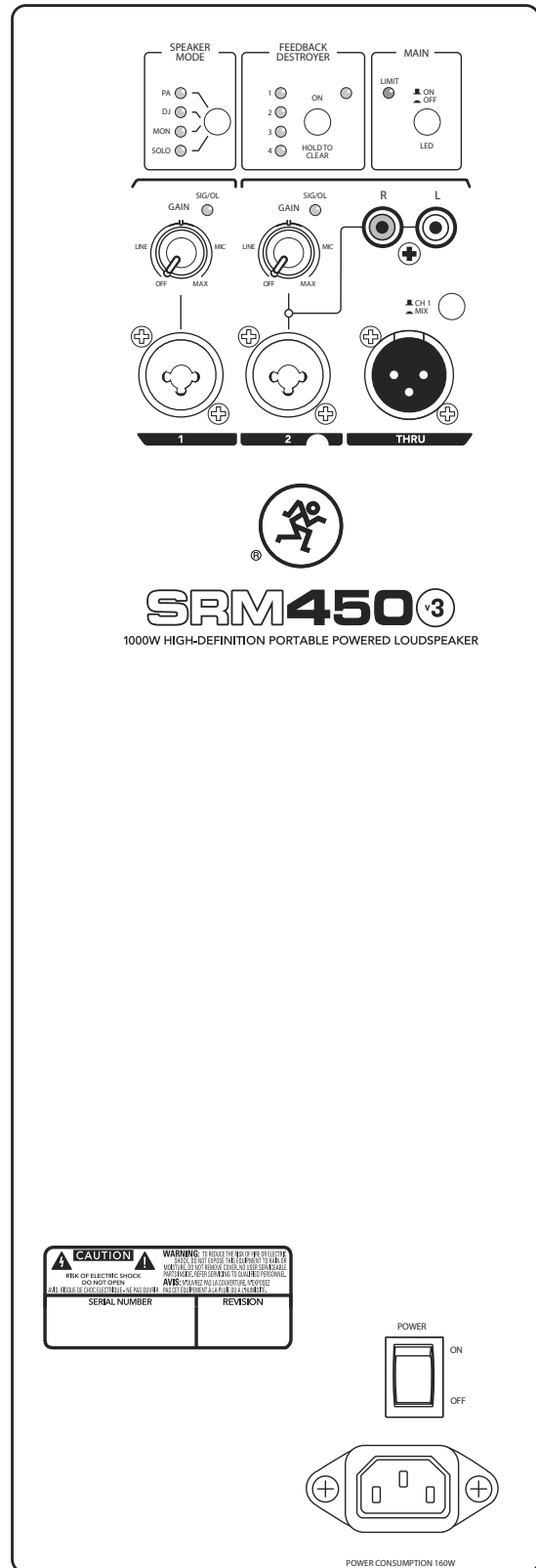
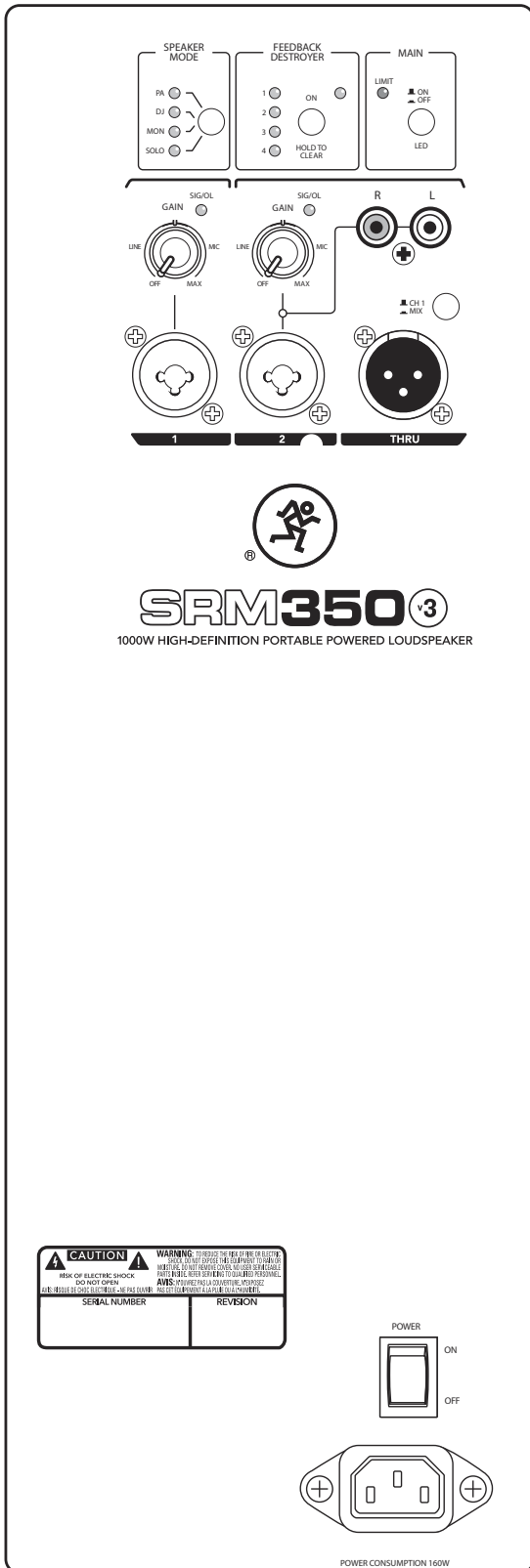
### SRM450v3 LOUDSPEAKER DIMENSIONS

#### NOTES:

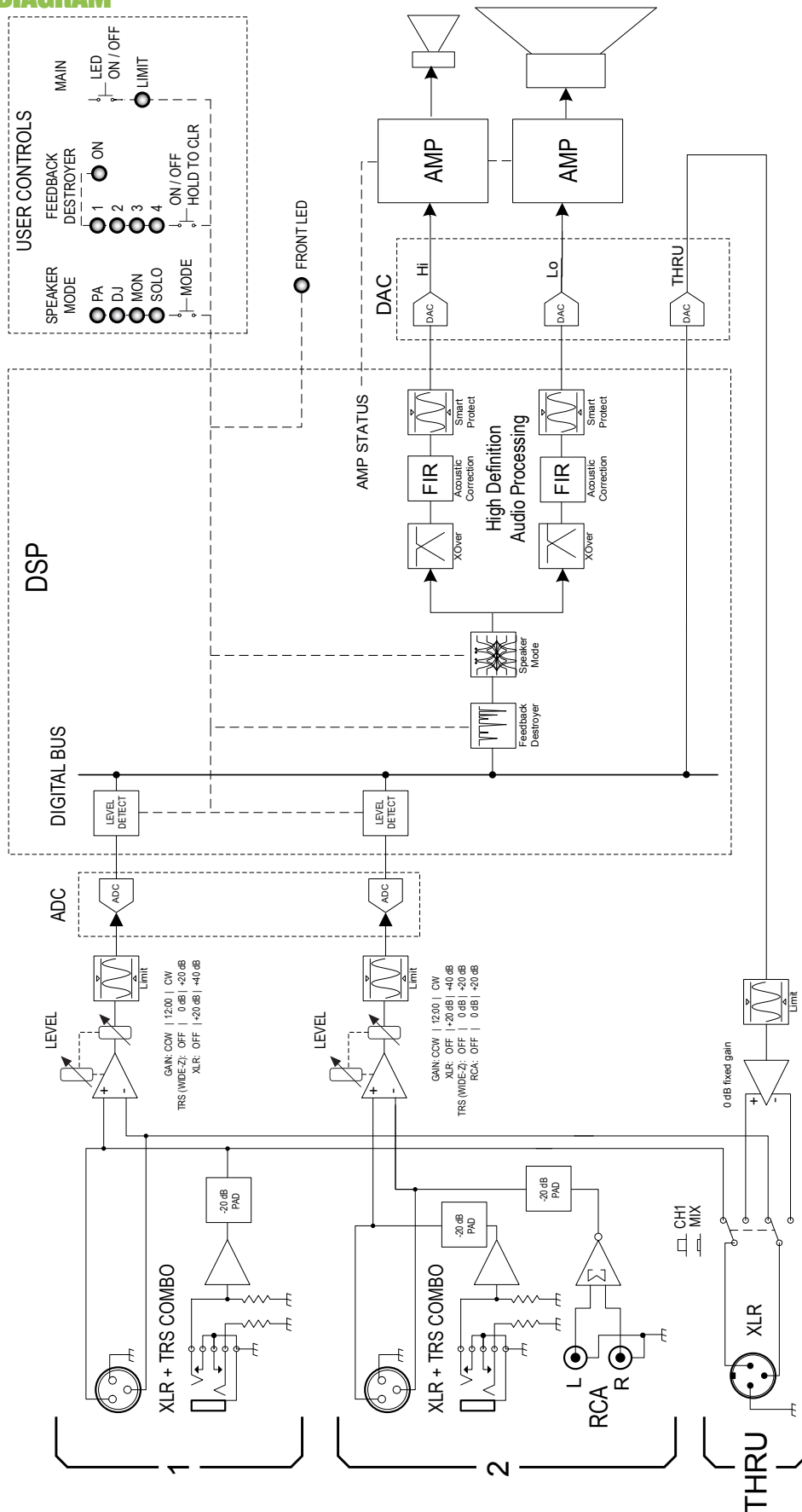
1. SYMBOL  INDICATES CENTER OF BALANCE.
2. WEIGHT APPROX. 37.0 lb [16.8 kg].
3. SHIPPING WEIGHT APPROX. 43 lb [19.5 kg].

<p>THIRD ANGLE PROJECTION</p> 	<p>UNLESS OTHERWISE SPECIFIED: ALL DIMENSIONS ARE IN INCHES DUAL [MM] DIMENSIONS FOR REF ONLY</p> <p>TOLERANCE IN INCHES LINEAR <math>\pm 0.13</math> in / <math>\pm 3.3</math> mm ANGLES <math>\pm 1^\circ</math></p> <p>(X.XX) = REF DIMS NO TOLERANCE IMPLIED</p> <p>TSC = THEORETICAL SHARP CORNER</p> <p>DIMENSIONS ACROSS CENTERLINES TO BE SYMMETRICAL</p>
<p>THE INFORMATION CONTAINED HEREIN IS PROPRIETARY AND CONFIDENTIAL PROPERTY OF LOUD TECHNOLOGIES, INC. ALL RIGHTS RESERVED</p>	



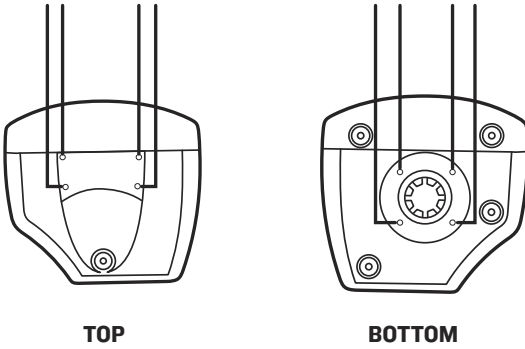
**SRMv3 LOUDSPEAKER REAR PANEL**


SRMv3 BLOCK DIAGRAM

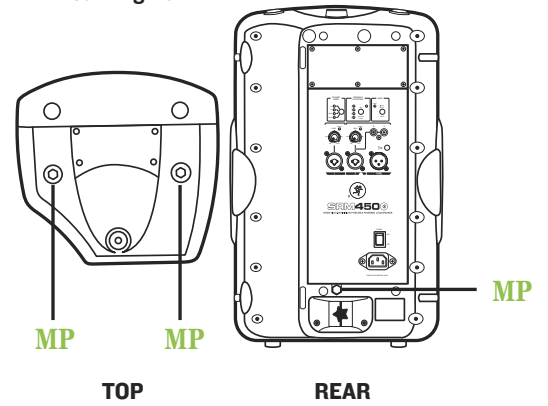
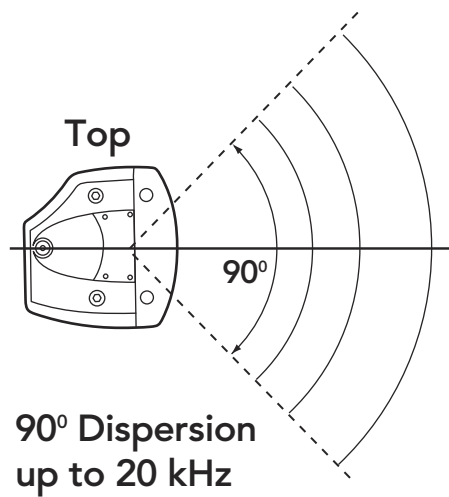


**SRM350v3 INSERTS**

M5 inserts for mounting optional hanging bracket

**SRM450v3 FLY POINTS**

MP = Mounting Point

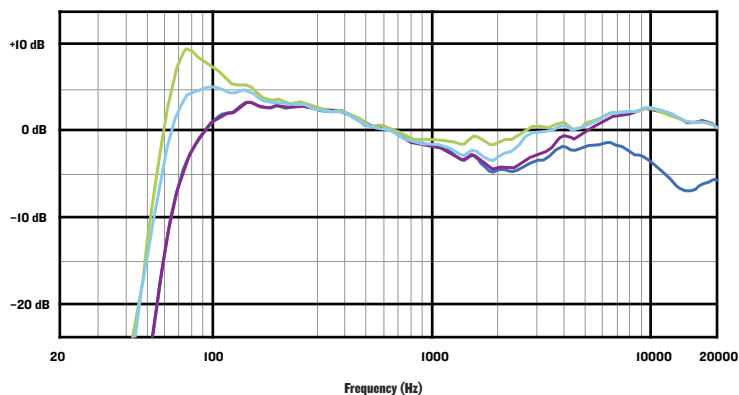
**SRMv3 WIDE HIGH-FREQUENCY DISPERSION**



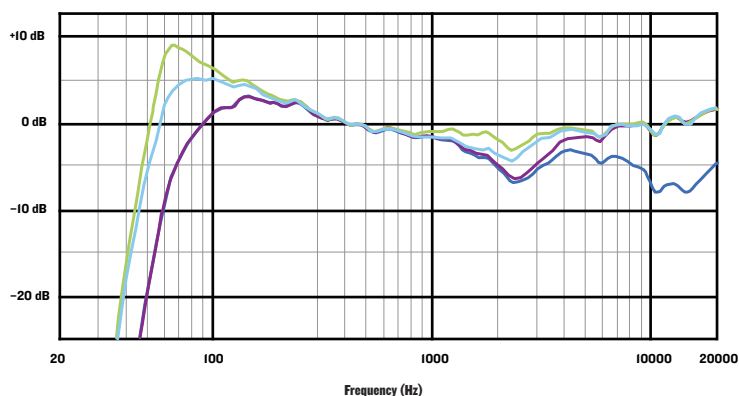
## DLM LOUDSPEAKER FREQUENCY RESPONSE LEGEND

- **PA Speaker Mode** – This mode is full range, but focuses on mid-range clarity where vocals often reside.
- **Soloist Speaker Mode** – This mode features a low frequency roll-off to get rid of unwanted thumps and adds boost and sparkle to mid-range and high frequencies. This mode is perfect for plug-and-play singer-songwriters.
- **DJ Speaker Mode** – This mode bumps the lows and highs with a mild tuck to the mids, perfect for music playback.
- **Monitor Speaker Mode** – This mode features a low frequency roll-off and a reduction around 2 kHz to ensure maximum gain before feedback in monitor applications.

## SRM350v3 LOUDSPEAKER FREQUENCY RESPONSE



## SRM450v3 LOUDSPEAKER FREQUENCY RESPONSE



LOUD Technologies Inc. is always striving to improve our products by incorporating new and improved materials, components, and manufacturing methods. Therefore, we reserve the right to change these specifications at any time without notice.

“Mackie” and the “Running Man” figure are registered trademarks of LOUD Technologies Inc. All other brands mentioned are trademarks or registered trademarks of their respective holders, and are hereby acknowledged.

©2014 LOUD Technologies Inc. All rights reserved.

Electronic files for this product are available at:  
[www.mackie.com](http://www.mackie.com)

Specification Sheet

SRMv3\_SS.PDF

Owner's Manual

SRMv3\_OM.PDF



[www.mackie.com](http://www.mackie.com)  
16220 Wood-Red Road NE  
Woodinville, WA 98072 USA  
800-898-3211, Fax 425-487-4337

Part No. SWI063 Rev. A 03/14